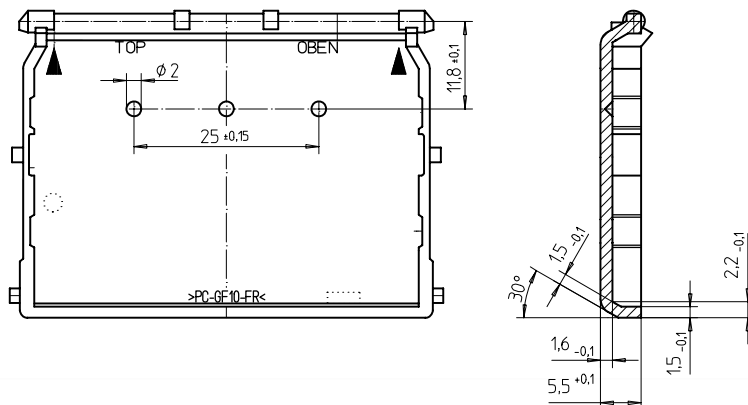


Placas de conexiòn Para Conexiones informáticas universales

Ref.: 54	1
Ref.: 54 ACO	1
Ref.: 54 OCS	3
Ref.: 54 SC	4
Ref.: 54-2 SC	4
Ref.: 54 XLR-D	5
Ref.: 54 XLR-S	5
Ref.: 54-1 ACS	6
Ref.: 54-1 WE	7
Ref.: 54-2 WE	7
Ref.: 54-2 ACS	9
Ref.: 54-15 WE	10
Ref.: 54-25 WE	11
Ref.: 54-2 BNC 12.7	12
Ref.: 54-2 BNC 9.7	12
Ref.: 54-2 BTR	13
Ref.: 54-2 CXLR	14
Ref.: 54-2 D15	14
Ref.: 54-2 D25	15
Ref.: 54-2 D9	15
Ref.: 54-2 LWL	16
Ref.: 54-4LWL	16

Ref.: 54

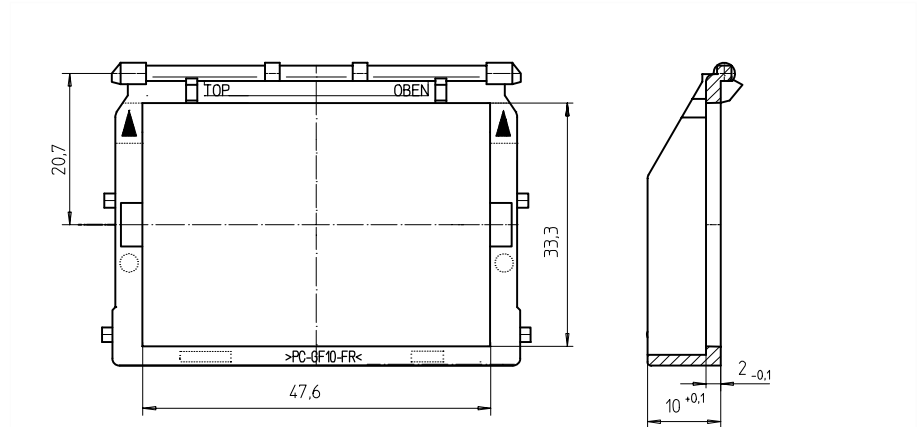
placa cerrada, para agujerear



Ref.: 54 ACO

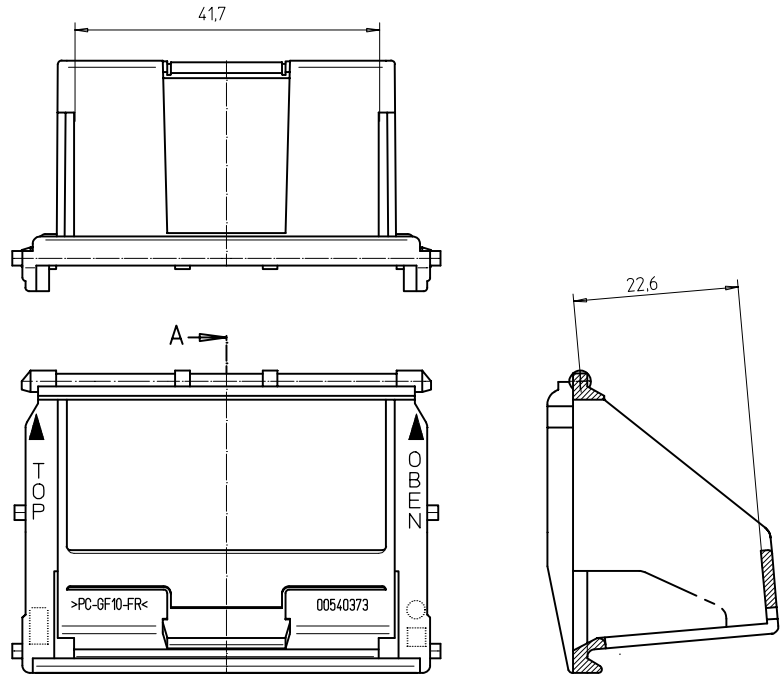
Placas de conexiòn para tapas ...554...

para 1 toma AMP – ACO,
ref. 406388-1, Cat. 3



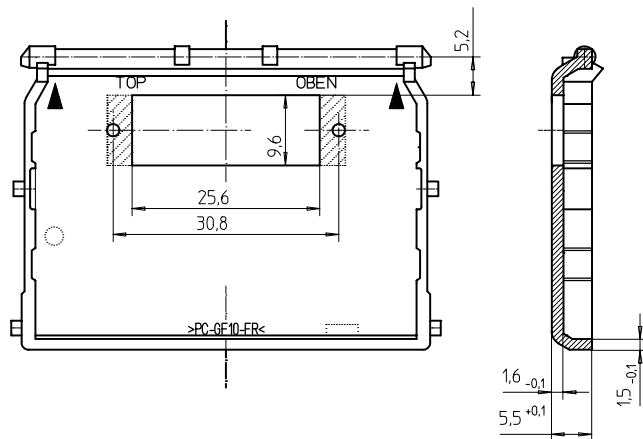
Ref.: 54 OCS

para 1 módulo Open Cabeling System (OCS),
ref. J00091A0007,
o Telegärtner, ref. J00093A0009



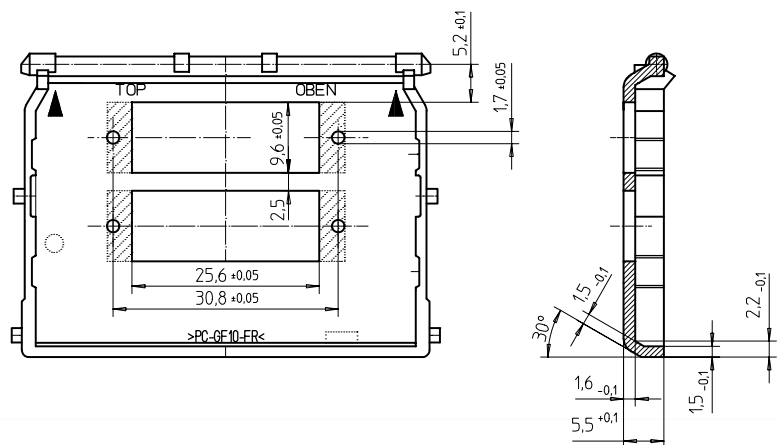
Ref.: 54 SC

para 1 toma dúplex LWL, sistema SC,
Amphenol o Avaya
(Lucent Technologies) (AT+T),
o AMP



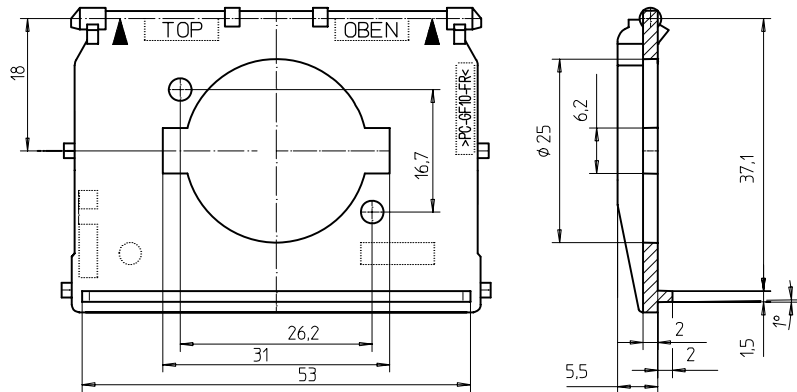
Ref.: 54-2 SC

para 2 tomas dúplex LWL,
SC System, Amphenol LWL, SC System, Avaya
(Lucent Technologies) (AT+T)
LWL, SC System, Tyco Electronics AMP



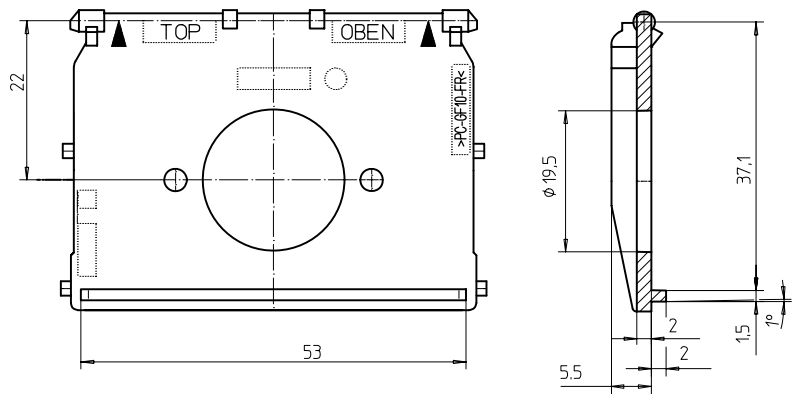
Ref.: 54 XLR-D

para 1 toma XLR



Ref.: 54 XLR-S

para 1 toma XLR

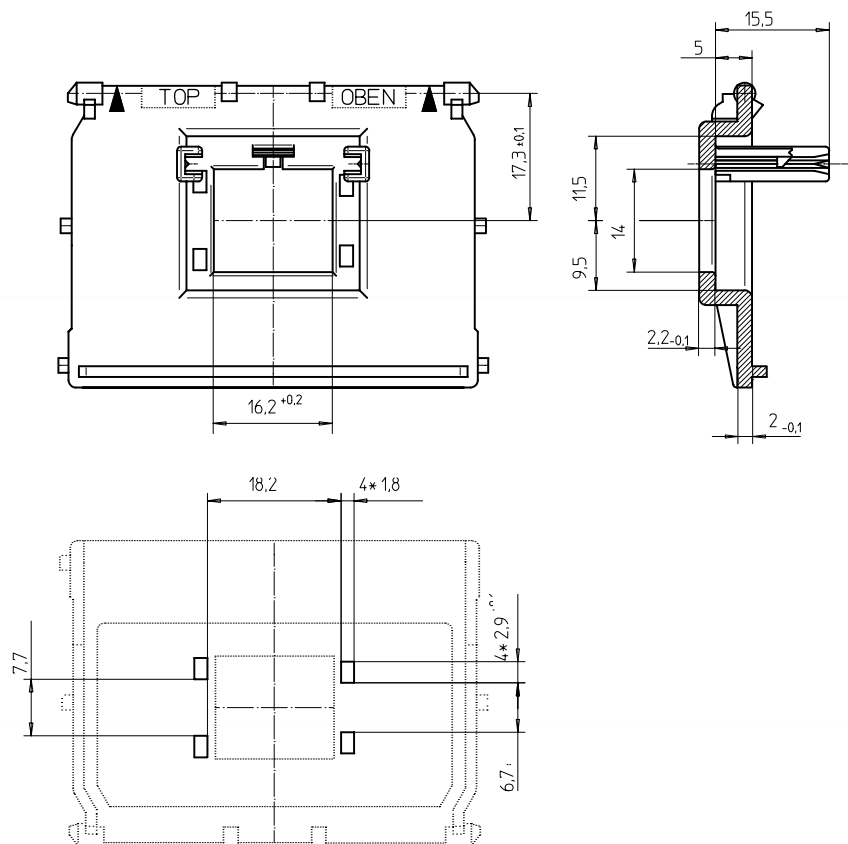


Ref.: 54-1 ACS

para 1 toma

RJ 45, freenet, classic System, apantallado, Reichle & DeMassari Ref. R925370, Cat. 5e • freenet, classic System, no apantallado, Reichle & DeMassari Ref R925371, Cat. 5e •

freenet, star System, apantallado, Reichle & DeMassari Ref. R302372, Cat. 6 • freenet, star System, no apantallado, Reichle & DeMassari Ref. R302373, Cat. 6 para 1 SC-RJ Mòdulo 1 canal freenet, vision System, Reichle & DeMassari Ref. R30574

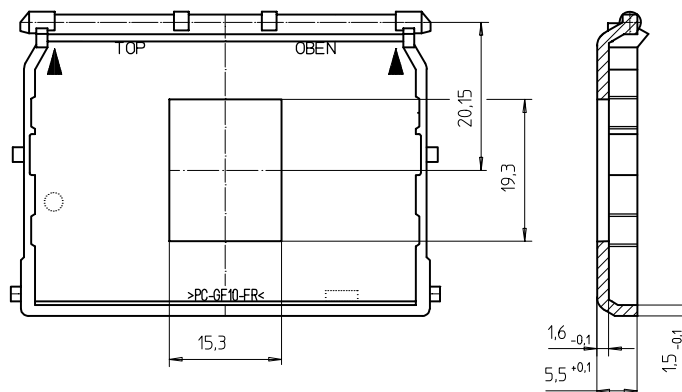


Ref.: 54-1 WE

para 1 toma

Qmax-Serie, Modular, RJ 45 apantallada, 3M, Cat. 6 • Modular RJ 12 no apantallada JUNG Nr. 6 WE, Cat. 3 • Modular, RJ 45 no apantallada, JUNG Nr. 8 WE, Cat. 3 • Modular, RJ 45 no apantallada, JUNG Nr. 8 PWE, Cat. 3 • Modular, RJ 45 no apantallada, JUNG Nr. 8 WECEKAN, Cat. 3 • Highband-Serie, Modular, RJ 45 System, apantallada, Krone, Cat. 6 • Compact-HK-Serie, Modular, RJ 45 apantallada, Krone, Cat. 5e • Snap-in Connector LANmark-6 System, Modular, RJ 45, apantallada, Nexans Nr. 420.630, Cat. 6 •

Modular, Keystone RJ 45 System, no apantallada, Panduit Nr. KJ88..., Cat. 3 • Modular, Keystone RJ 45 System, no apantallada, Panduit Nr. KJ588. Unipatch TERA System, geschirmt, Dätwyler, Cat. 7., Cat. 5 • Modular, RJ 12 System, no apantallada, RADIALL Nr. R280MOD804, Cat. 4 • Modular RJ 45 System, no apantallada, RADIALL Nr. R280MOD805, Cat. 4 • Modular RJ 45 System, no apantallada, RADIALL Nr. R280MOD807, Cat. 5 • Modular RJ 45 System, apantallada, RADIALL Nr. R280MOD809, Cat. 5 • Modular, Keystone RJ 45 System, apantallada, SIEMON Nr. MX6-KS..., Cat. 6 • Modular, RJ 12 System, no apantallada, Tyco Electronics AMP Nr. 216000-1, Cat. 3 • Modular, RJ 45 System, no apantallada, Tyco Electronics AMP Nr. 216005-1, Cat. 3 Unipatch TERA System, apantallada, Dätwyler, Cat. 7



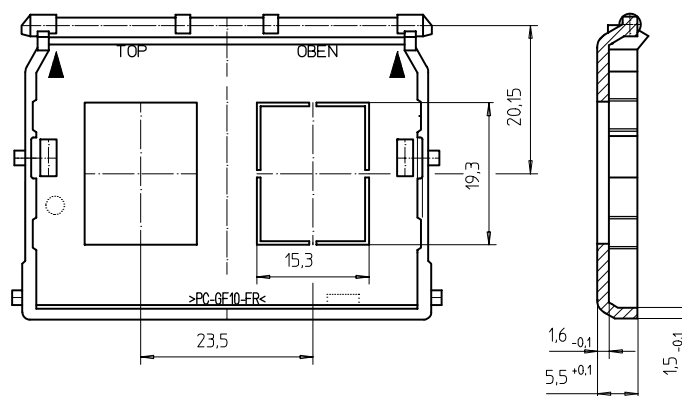
Ref.: 54-2 WE

para 2 tomas

Qmax-Serie, Modular, RJ 45 System, apantalladas, 3M, Cat. 6 • Modular, RJ 12 System, no apantalladas, JUNG Nr. 6 WE, Cat. 3 • Modular, RJ 45 System, no apantalladas, JUNG Nr. 8 WE, Cat. 3 • Highband-Serie, Modular, RJ 45 System, apantalladas, Krone, Cat. 6 • Compact-HK-Serie, Modular, RJ 45 System, apantalladas, Krone, Cat. 5e • Snap-in Connector LANmark-6, Modular, RJ 45 System, apantalladas, Nexans Nr. 420.630, Cat. 6 • Modular, Keystone RJ 45 System, no apantalladas, Panduit Nr. KJ88..., Cat. 3

Modular, Keystone RJ 45 System, no apantalladas, Panduit Nr. KJ588..., Cat. 5 • Modular, RJ 12 System, apantalladas,

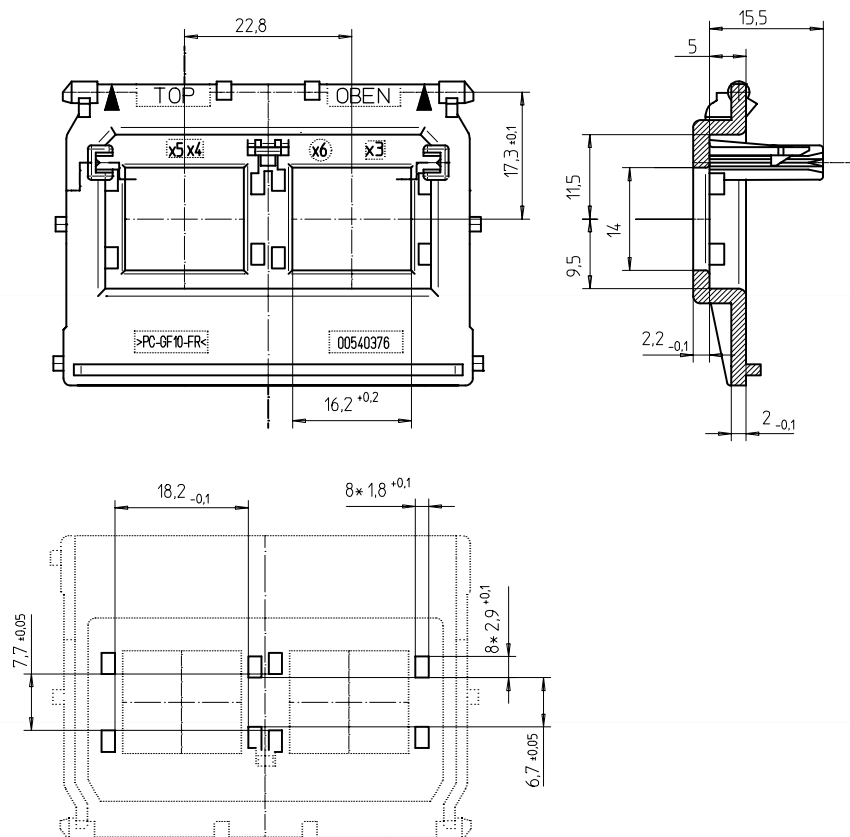
RADIALL Nr. R280MOD804, Cat. 4 • Modular, RJ 45 System, no apantalladas, RADIALL Nr. R280MOD805, Cat. 4 • Modular, RJ 45 System, no apantalladas, RADIALL Nr. R280MOD807, Cat. 5 • Modular, RJ 12 System, no apantalladas, Tyco Electronics AMP Nr. 216000-1, Cat. 3 • Modular, RJ 45 System, no apantalladas, Tyco Electronics AMP Nr. 216005-1, Cat. 3 • Modular, Keystone RJ 45 System, apantalladas, SIEMON Nr. MX6-KS., Cat. 6 • para 2 m3dulos Buchsen Unipatch TERA System, apantalladas, Dätwyler, Cat. 7 para 2 Socket Volition, VF-45 System, 3M



Ref.: 54-2 ACS

para 1 módulo DIN

2xRJ 45 freenet, classic System, apantallado, Reichle & DeMassari Nr. R35252, Cat. 5e • freenet, classic System, no apantallado, Reichle & DeMassari Nr. R35251, Cat. 5e • freenet, star System, apantallado, Reichle & DeMassari Nr. R302377, Cat. 6 • freenet, star System, no apantallado, Reichle & DeMassari Nr. R302378, Cat. 6 • para 1 SC-Compact Módulo 2 canales LWL, freenet, vision System, Reichle & DeMassari Nr. R30575



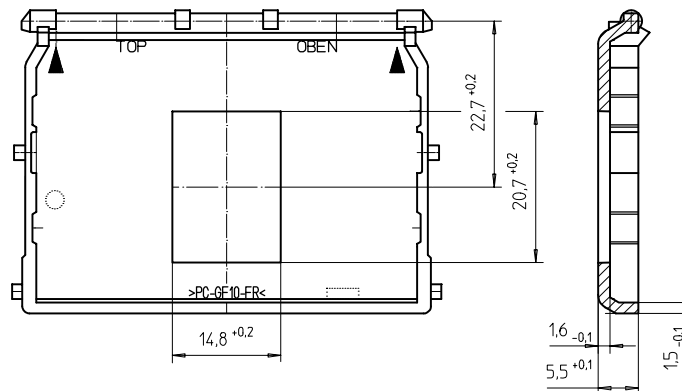
Ref.: 54-15 WE

para 1 toma

Tyco Electronics AMP 110 Connect, RJ 45 System, apantallada, JUNG Nr. 8 VGWE, Cat. 5e • 110 Connect, RJ 45 System, apantallada, Tyco Electronics AMP Nr. 0-1116515-1, Cat. 5e • 110 Connect, RJ 45 System, apantallada, Tyco Electronics AMP Nr. 0-1375117-1 • SL 110 Connect, RJ 45 System, apantallada, Tyco Electronics AMP Nr. 0-1375189-1, Cat. 5e • SL 110 Connect, RJ 45 System, apantallada, Tyco Electronics AMP Nr. 0-1375190-X, Cat. 5e • SL 110 Connect, RJ 45 System, apantallada, Tyco Electronics

AMP Nr. 0-1375188-1, Cat. 6 • SL 110 Connect, RJ 45 System, no apantallada, Tyco Electronics AMP Nr. 0-1375055-3, Cat. 6 • Toolless Jack, RJ 45, System, no apantallada, Tyco Electronics AMP Nr. 0-1116603-X, Cat. 3 • Toolless Jack, RJ 45, System, no apantallada, Tyco Electronics AMP Nr. 0-1116604-X, Cat. 5e • Toolless Jack, RJ 45, System, apantallada, Tyco Electronics

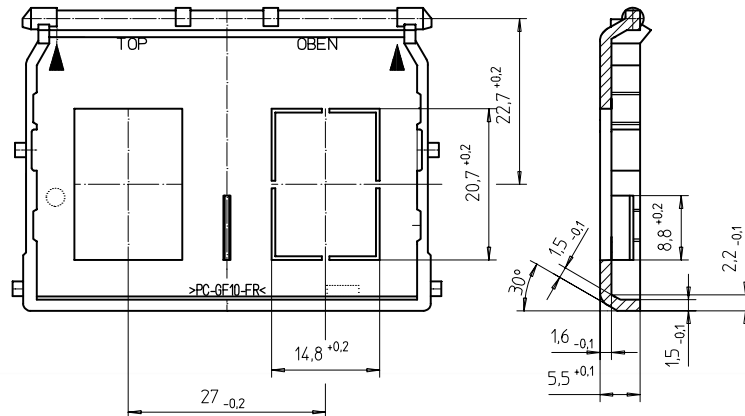
AMP Nr. 1339015-1, Cat. 5e • Toolless Jack, RJ 45, System, no apantallada, Tyco Electronics AMP Nr. 0-1116605-X, Cat. 6 • Toolless Jack, RJ 45, System, apantallada, Tyco Electronics AMP Nr. 1339016-1, Cat. 6 • LWL, MTRJ System, Tyco Electronics AMP Nr. 1278414-1



Ref.: 54-25 WE

para 2 tomaas

Tyco Electronics AMP 110 Connect, RJ 45 System, apantalladas, JUNG Nr. 8 VGWE, Cat. 5e • 110 Connect, RJ 45 System, apantalladas, Tyco Electronics AMP Nr. 0-1116515-1, Cat. 5e • 110 Connect, RJ 45 System, apantalladas, Tyco Electronics AMP Nr. 0-1375117-1 • SL 110 Connect, RJ 45 System, apantalladas, Tyco Electronics AMP Nr. 0-1375189-1, Cat. 5e • SL 110 Connect, RJ 45 System, no apantalladas, Tyco Electronics AMP Nr. 0-1375190-X, Cat. 5e • SL 110 Connect, RJ 45 System, apantalladas, Tyco Electronics AMP Nr. 0-1375188-1, Cat. 6 • SL 110 Connect, RJ 45 System, no apantalladas, Tyco Electronics AMP Nr. 0-1375055-3, Cat. 6 • Tolless Jack, RJ 45 System, no apantalladas, Tyco Electronics AMP Nr. 0-1116603-X, Cat. 3 • Tolless Jack, RJ 45 System, no apantalladas, Tyco Electronics AMP Nr. 0-1116604-X, Cat. 5e • Tolless Jack, RJ 45 System, apantalladas, Tyco Electronics AMP Nr. 1339015-1, Cat. 5e • Toolless Jack, RJ 45 System, no apantalladas, Tyco Electronics AMP Nr. 0-1116605-X, Cat. 6 • Toolless Jack, RJ 45 System, apantalladas, Tyco Electronics AMP Nr. 1339016-1, Cat. 6 • LWL, MTRJ System, Tyco Electronics AMP Nr. 1278414-1

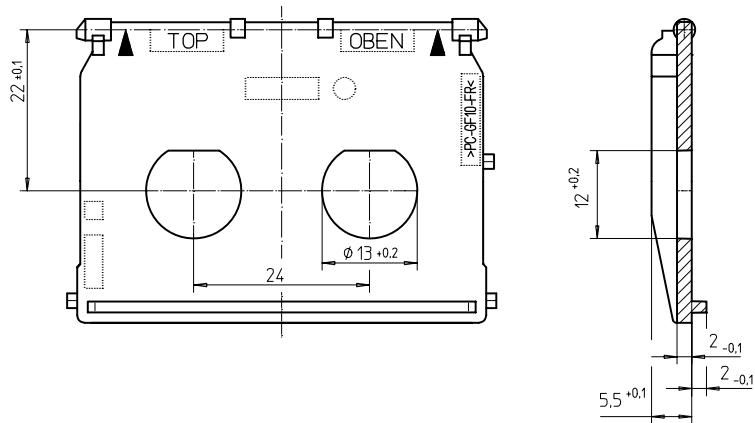


Ref.: 54-2 BNC 12.7

para 2 tomas \varnothing 12,7

BNC System, JUNG Nr. BNC 12.7

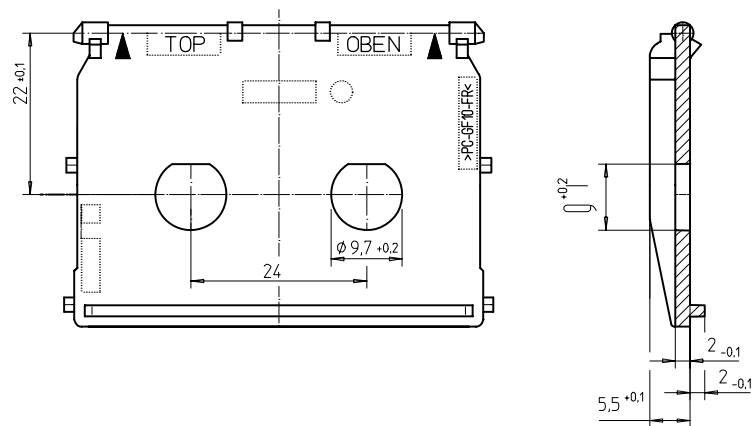
Telegärtner Nr. J01001A0043



Ref.: 54-2 BNC 9.7

para 2 tomas \varnothing 9,7

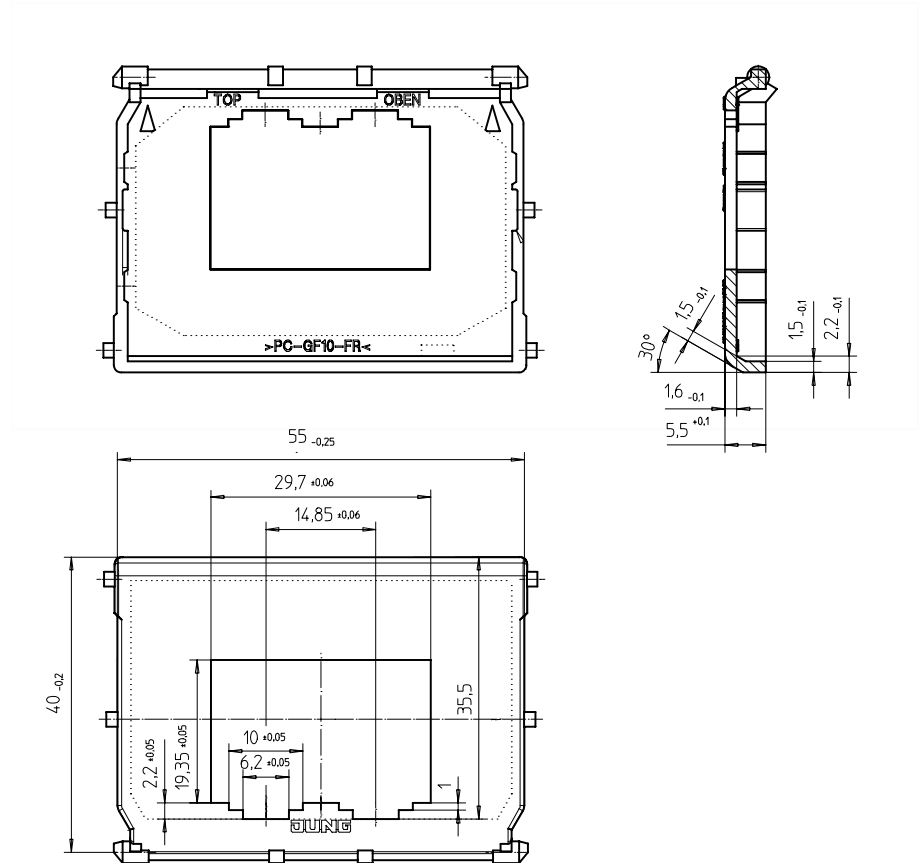
BNC System, JUNG Nr. BNC 9.7 Lumberg Nr. 23230VDB151



Ref.: 54-2 BTR

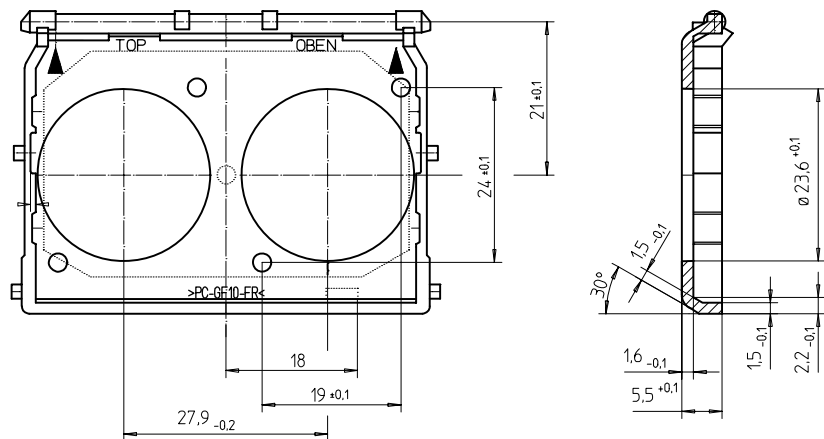
para 2 tomas 8 (8)

E-DATmodul, RJ 45 System, apantalladas, BTR Nr. 130910-i, Cat. 6



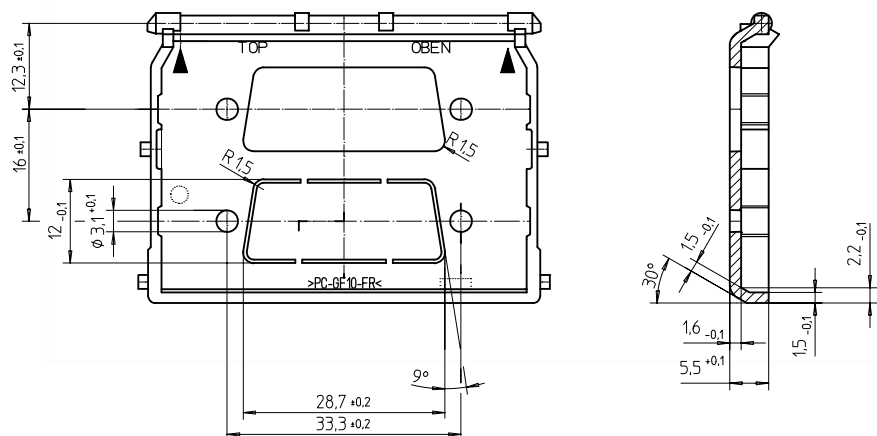
Ref.: 54-2 CXL

para 2 conectores JUNG Nr. CXL-S +
 JUNG Nr. CXL-D
 para 2 tomas de altavoz, JUNG Nr. PB 4
 para 2 tomas de altavoz, JUNG Nr. PS 4



Ref.: 54-2 D15

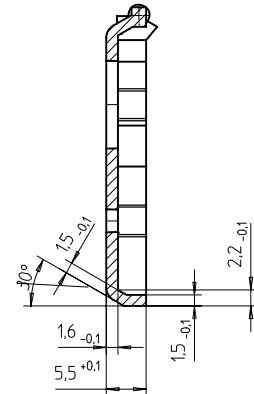
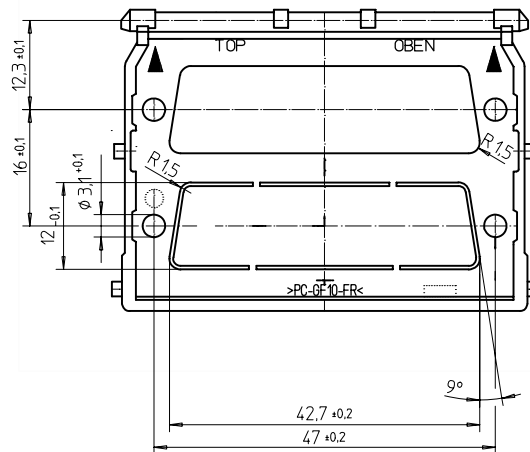
para 2 tomas
 subminiatura JUNG Nr. DSUB 15



Ref.: 54-2 D25

para 2 tomas

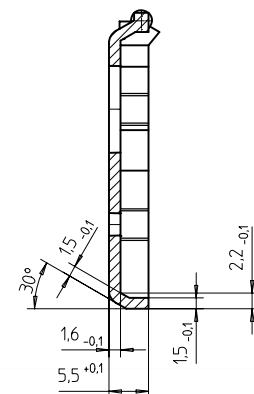
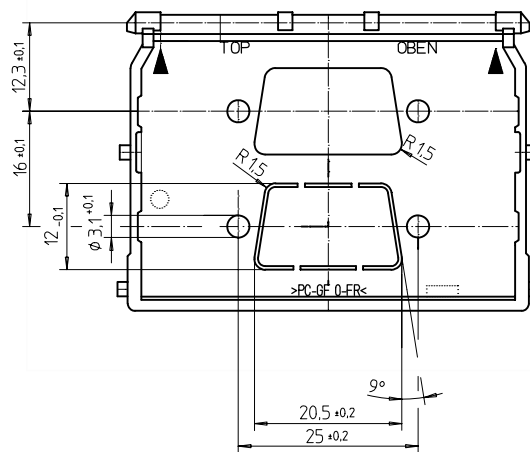
subminiatura JUNG Nr. DSUB 25



Ref.: 54-2 D9

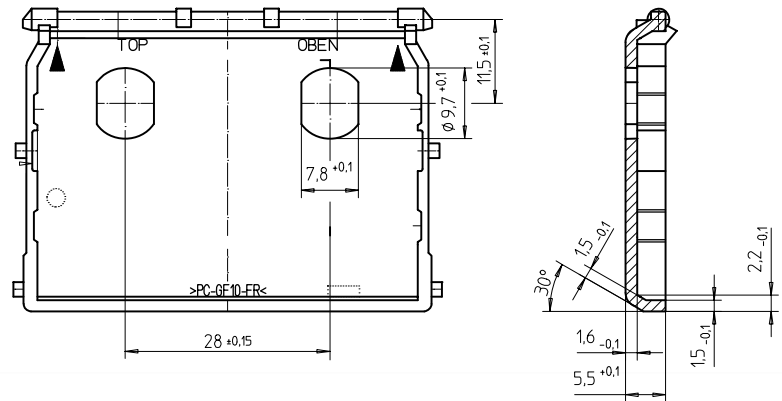
para 2 tomas

subminiatura JUNG Nr. DSUB 9



Ref.: 54-2 LWL

para 2 tomas LWL,
ST, 2,5 mm Bajonett System



Ref.: 54-4LWL

para 4 tomas LWL, ST, 2,5 mm Bajonett

