

Product information

DCM Dome camera 58°

TK 420 FDK 58



Safety instructions



Assembly, installation, and commissioning must only be carried out by a qualified electrician!

For work on systems with 230 V AC mains current the safety requirements of DIN VDE 0100 must be observed.

When installing DCM BUS systems the general safety rules for telecommunication systems in accordance with VDE 0800 must be observed:

- separate cabling for high and low voltage lines
- minimum distance of 10 cm for joint cabling arrangements,
- use of separators between high and low voltage lines in joint cable ducts,



Suitable lightning prediction must ensure that a voltage of 32 V DC will not be exceeded at the DCM BUS wires a and b.

Application / Brief description

Application

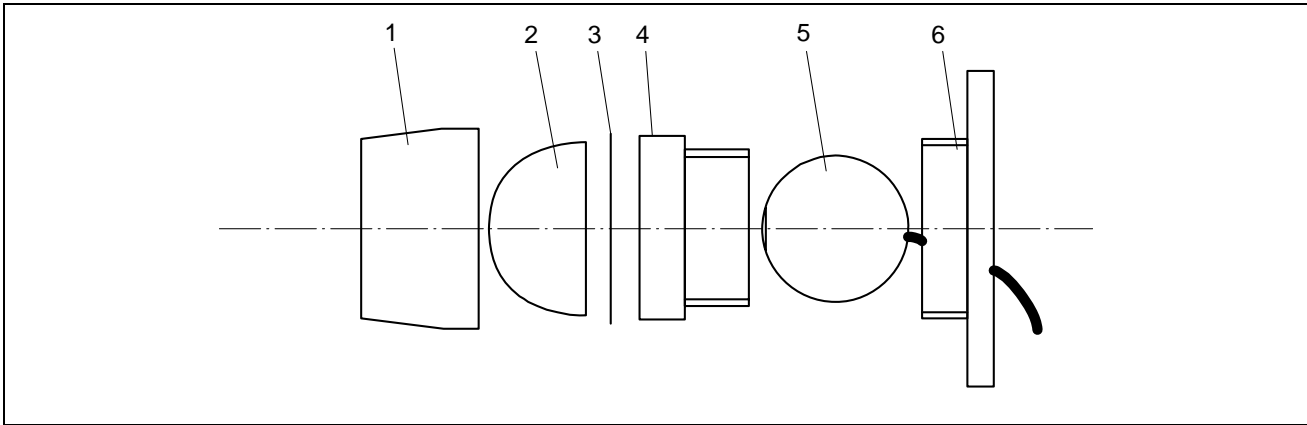
- Colour dome camera for the use in DCM video installations
- Connection exclusively to DCM camera interface 2-wire ref.-no.TKVS21U
- For the indoor and out door use

Brief description

- weather-proof dome camera in a metal housing with lens
- the 4.3mm lens can be positioned and fixed by 120° in all desired directions
- high quality CCD-Chip technology
- automatic shutter operation (ESC), automatic backlight function (BLC) and automatic gain control (AGC) enables the indoor use and the outdoor use with extreme sunlight

Installation and connection

Installation



(1) Cylinder, (2) Glass dome, (3) O-ring, (4) Connection ring for camera, (5) Camera in spherical housing, (6) wall bearing

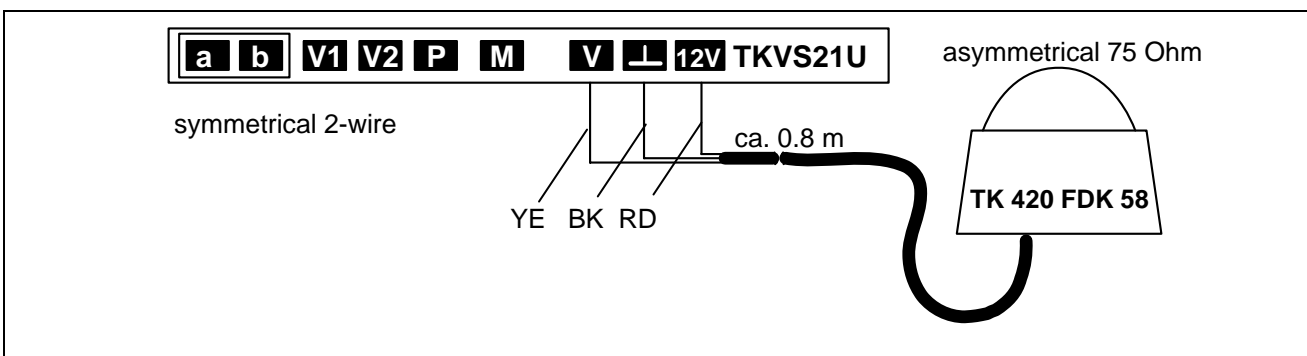
- connect the wall bearing (6) with 4 screws
- consider the outlet for the wire connection
- place the camera (5) with wire connection onto the wall box
- install connection ring (4)
- to adjust the camera (5) loose the connection ring (4) until the camera can be moved
- adjust camera
- fasten connection ring
- attach O-ring
- screw on cylinder with glass dome .

Note

When installing in outdoor areas:

- Avoid direct solar radiation into the lens. Use the sun roof.
- Select suitable installation location.

Connection



Wiring example see TKVS21U

YE = yellow
BK = black
RD = red

Important note for connection

! Do NOT extend the wire of the camera !

Focus settings

In consequence of the structural form of the lens, a focus of the camera from 0.5 m to infinity is always given.
Therefore no focus settings are required.

Technical data

Supply voltage:	12 V DC supplied with TKVS21U
Input current:	I(Pmax) = 100 mA
Housing:	plastic
Dimensions(Ø x h):	Ø 80 x 60 mm
Housing:	metal housing aluminium, lacquered
Colour:	white
Cable length:	approx. 0.8 m
Weight:	300 g
Schutzart:	IP 65
Ambient conditions	
Ambient temperature:	- 10 °C ... + 50 °C
Humidity:	up to 100 %
Resolution:	420 TVL, Video standard PAL (521 x 581 Pixel)
Min. ambient brightness:	0.25 Lux / F 1,4
Image converter:	1/3" CCD Sharp
TV standard:	PAL, 625 lines, 50 Hz
Video output signal	FBAS 1Vss / 75 Ohm
Detection angle:	58°
Detected distance:	0.5...3 m

Troubleshooting

- Camera does not deliver an image
- The monitor is switched off
 - mixed polarity of power supply
 - Video wire is interrupted

Acceptance of guarantee

We accept the guarantee in accordance with the corresponding legal provisions.
Please return the unit postage paid to our central service department giving a brief description of the fault:

ALBRECHT JUNG GMBH & CO. KG

Service-Centre

Kupferstr. 17-19
44532 Lünen
Germany

Service-Line: 0 23 55 . 80 65 51
Fax: 0 23 55 . 80 61 89
E-Mail: mail.vka@jung.de


Technique (DCM)

Service-Line: 0 23 55 . 80 65 52
Fax: 0 23 55 . 80 62 55
E-Mail: mail.vka@jung.de

JUNG

Albrecht Jung GmbH & Co. KG
P.O. Box 1320
58569 Schalksmühle
Germany

www.gb.jung.de
www.jung-catalogue.com

 The CE-sign is a free trade sign addressed exclusively to the authorities and does not include any warranty of any properties.

Technical subjects to change.
EN_TK420_FDK_58.doc
01/2012