

Product information



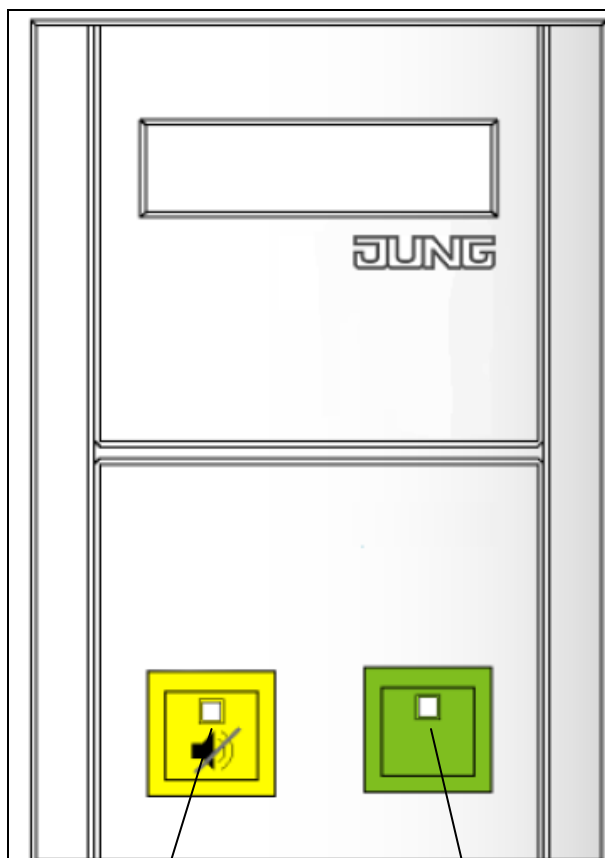
Service terminal NRS DZT 20 WW

Brief description

The Service terminal NRSDZT20WW is used for the central information of 20 emergency calls. A parallel use of several service terminals is possible. This monitored information is non-observed according to DIN/VDE 0834.

The status messages can be parameterised with a PC.

Device overview



Alarm suppression

presence

The green presence push-button is activating the device. The display will be on and the green LED is enlightened.

All incoming alarms will be announced optically and acoustically. The alarm will be shown clear-type on the display; in case of multiple alarms the display will change between these.

The yellow push-button will suppress the acoustical alarm indication for 20 seconds.

By deactivating the presence with the green push-button all alarms will be suppressed at the device.

Intended Use

The Service terminal NRSDZT20WW is used for the central information of 20 emergency calls. A parallel use of several service terminals is possible. This monitored information is non-observed according to DIN/VDE 0834.

- central remote signalling from up to 20 alarms
- optical and acoustical signalling
- two-line display for indication of the alarms
- programmable alarm messages with up to 16 characters for allocating the alarms
- 20 electrically isolated inputs with one ground
- evaluation of standby- and operating current
- Suppression of the acoustical alarms for 20 seconds
- green presence push-button
- yellow alarm suppression push-button
- programmable with the PC
- USB-cable and Software (multi-language) included
- power supply 24V DC
- inputs 24 V DC
- for screw-fixing in a wall box without claws
- Dimensions: 145 x 100 x 24 mm (H x W x D)

Safety instructions

! Assembly, installation, and commissioning must only be carried out by a qualified electrician!

For work on systems with 230 V AC mains current the safety requirements of DIN VDE 0100 must be observed.

For work on emergency call systems the safety regulations for communication systems of VDE 0800 has to be observed:

- Separate conduit of high current and low current wires
- Minimum distance between both lines 10cm if combined conduit
- Use of separating strips between high and low current wires in combined cable conduits
- Use of standardized telecommunication cables, e.g. J-Y (St) Y 2x2x0.6
- Connecting and disconnecting of the lines only when power supply is switched off!

! Suitable lightning prediction could be required.

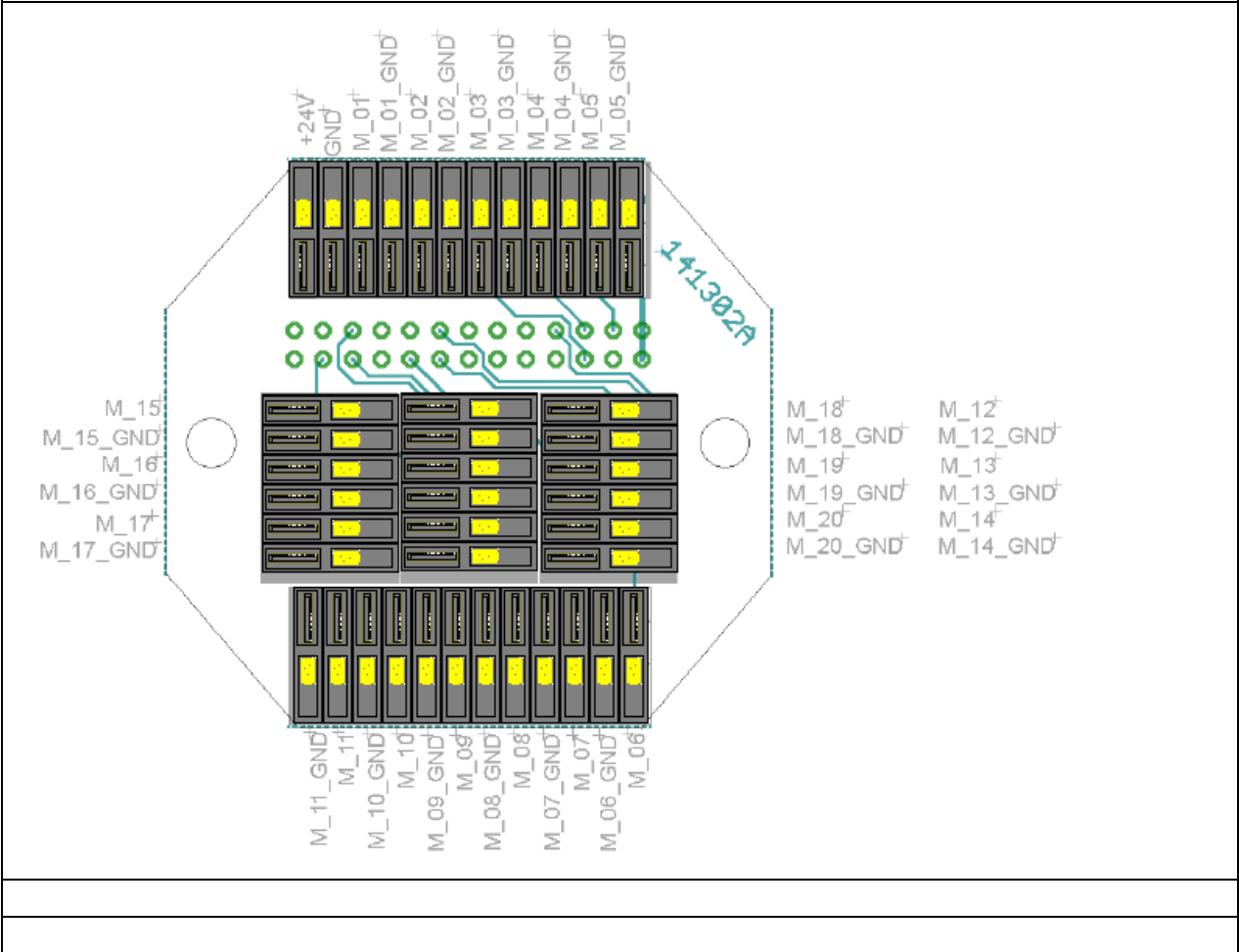
Information for electricians

Connections of the service terminal (view from reverse side)

The service terminal is designed for an operation at a +24V power supply. It has 20 electrically isolated inputs. The power supply has to be connected to +24V and GND.

2 terminals are available for each input . The GND-terminals are connected internally.

The normal use would be the closed circuit current principle. As long as the voltage of 24V DC is connected to the terminals, e.g. M_01 and M_01_GND, no alarm will be released. This ensures that each bus failure will release an alarm.



Installation

Installation into a wall box

Installation height according to DIN VDE 0834

(„call systems in hospitals, nursing homes and similar institutions“)

- pull cord switch min. 20 cm above the highest point of the quench head
- operated devices 0.7 m up to 1.5 m above the floor
- operated devices 1.5 m up to 1.7 m above the floor
 with text displays
- devices in installation units 1.6 m up to 1.8 m above the floor
- signal lamps and display 1.5 m up to 2.2 m above the floor
 for large text

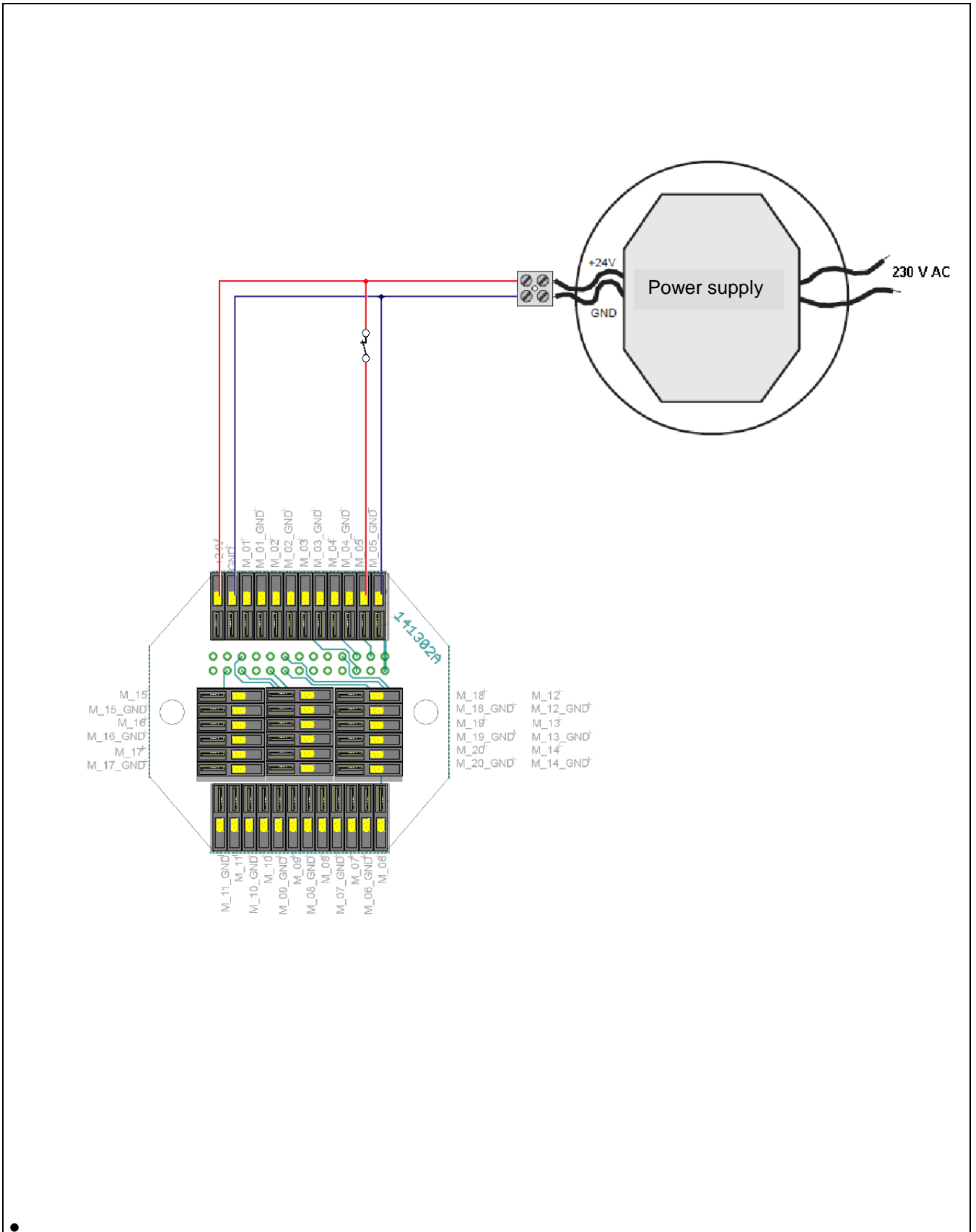
The DIN 18024-2 “Construction of accessible buildings” stipulates to mount control elements for wheelchair users in a height of 0.85m in addition.

Mounting

Mounting with the supporting frame without claws

Wiring

Wiring plan



Technical Data

Service terminal:

Input voltage:	24V DC +-12.5%
current consumption:	max. 30mA
Ambient temperature:	5 ... 40 °C
Wiring:	communication cable J-Y(St) Y
Distance call button <> service terminal	max. 500 m
Diameter of wires:	single stranded 0.3 ... 1.4 mm

Inputs:

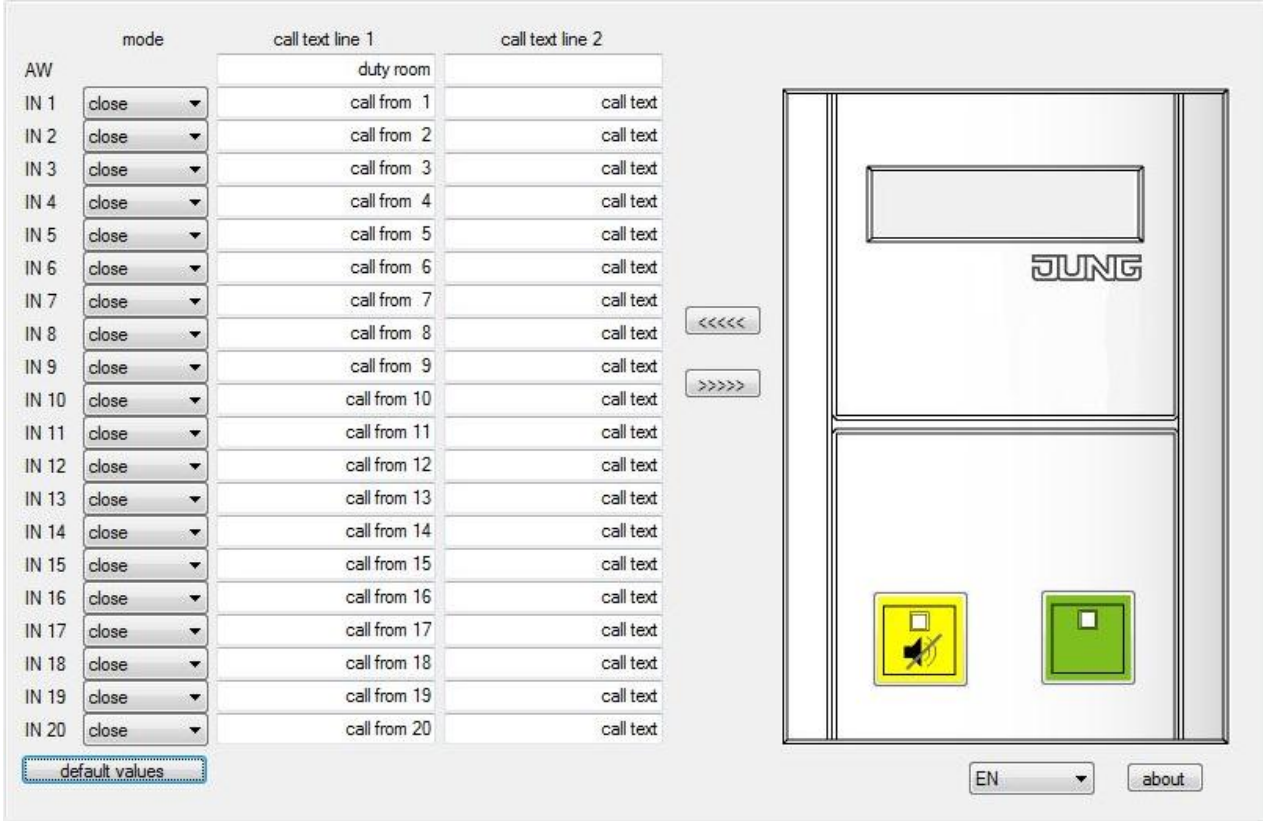
voltage:	24V DC +-12.5%
Current consumption:	typ. 2 mA

Software

To program the device with the included software you have to connect the opened device with the computer via the included USB-cable. With the software you can easily change the text messages.

System requirements:
 PC with Windows OS, USB-interface and Microsoft Dotnet 4.0 Runtime Environment

For each input it can be defined if he is operating according to the open or closed circuit current principle or if he is deactivated. The text for standby and the text for alarming can be defined freely (max. 2x16 characters).



Acceptance of guarantee

We accept the guarantee in accordance with the corresponding legal provisions.
Please return the unit postage paid to our central service department giving
a brief description of the fault:

ALBRECHT JUNG GMBH & CO. KG

Service-Centre

Kupferstr. 17-19

44532 Lünen

Service-Line: 0 23 55 . 80 65 51

Telefax: 0 23 55 . 80 61 89

E-Mail: kundencenter@jung.de

Technique

Service-Line: 0 23 55 . 80 65 52

Telefax: 0 23 55 . 80 61 89

E-Mail: kundencenter@jung.de


JUNG

ALBRECHT JUNG GMBH & CO. KG

Volmestraße 1

58579 Schalksmühle

www.jung.de

 The CE - sign is a free trade sign addressed exclusively to the authorities and does not include any warranty of any properties

Technical subjects to changes.
EN_PI_NRSZT20WW_1v1.doc
01/2013
0024072202