



Music Centre

Art. No.: MC..100..

**ALBRECHT JUNG GMBH & CO. KG**

Volmestrasse 1

58579 Schalksmühle, Germany

[mail.info@jung.de](mailto:mail.info@jung.de)

[www.jung.de](http://www.jung.de)

[www.jung-katalog.de](http://www.jung-katalog.de)

## Safety instructions

**Caution! Electrical devices may only be installed and fitted by electrically skilled persons.**

**Non-compliance with the installation information could cause damage to the device, fire or other hazards.**

**Hazard due to electrical shock. Before working on the device, disconnect the power or load and switch off the circuit breakers.**

**Keep button cell batteries out of the reach of children! If button cell batteries are swallowed, seek immediate medical assistance.**

**Explosion hazard! Do not throw batteries into fire.**

**Explosion hazard! Do not recharge batteries.**

**Chemical burn hazard! Batteries may burst or leak. Only replace batteries with the same or an equivalent type.**

**Remove empty batteries immediately and dispose of them in an environmentally responsible manner. Do not dispose of batteries in household refuse. Information about environmentally responsible disposal is available from local refuse disposal authorities. Legal requirements state the end consumer is responsible to return used batteries.**

**The device is not protected against dripping or sprayed water. Only operate the device in dry interior spaces. Do not set any objects containing fluids on the device.**

**These instructions are a component part of the product and must remain with the end customer.**

## Structure of the device

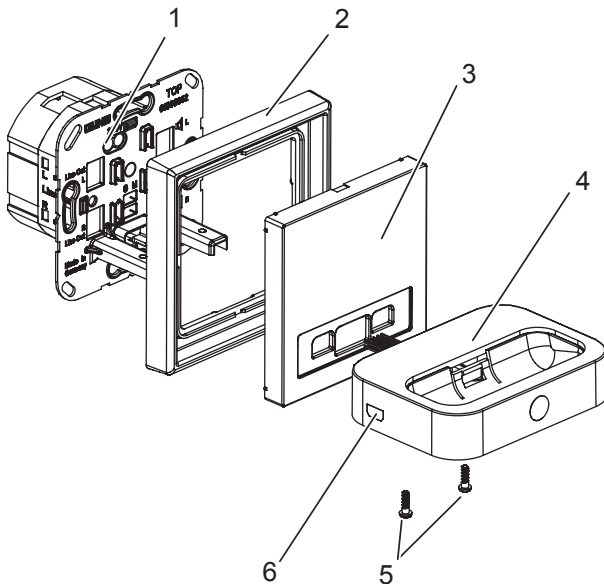


Figure 1: Structure of the music centre device

1. Insert
2. Frames
3. Central plate
4. Docking station
5. Fixing screws
6. Mini USB interface (charging function)

## Function

### Intended purpose

- Stationary docking station for mobile MP3 player and iPod or iPhone.
- Installation in device box according to DIN 49073, deep socket.

### Product characteristics

- Battery charging function for iPod or iPhone via 30-pin connector strip
- External line-in stereo input with 3.5 mm stereo jack
- Integrated stereo amplifier
- Direct connection of loudspeakers
- Line-out outputs to connect a hi-fi or multi-room system
- Volume control directly on device
- Remote control via infrared remote control
- Battery loading function for mobile devices via mini USB connection

### Operation

Operation takes place at the music centre, via remote control or directly at the MP3 player.

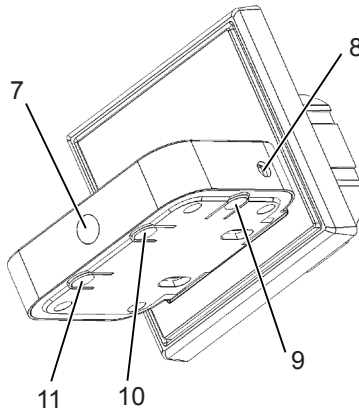


Figure 2: Music centre operation and display elements

7. Green function LED line in and infrared receiver
8. 3.5 mm stereo jack AUX in
9. AUX in changeover switch
10. Volume -
11. Volume +

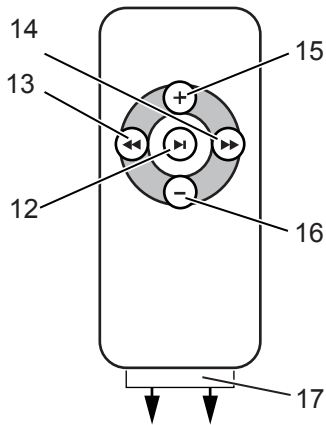


Figure 3: Operation element infrared remote control

- 12. Play/Stop
- 13. Skip -
- 14. Skip +
- 15. Volume +
- 16. Volume -
- 17. Contact separation film

### Connecting iPod or iPhone

Plug the device into the docking station. Operation takes place via the music centre or directly via the player.

Green LED (7) is off.

### Connecting players via AUX

Operation takes place via the music centre or directly via the player.

Green LED (7) is off.

- Press changeover switch (9).  
Green LED (7) lights up.  
AUX input is active.

### Connecting devices to the mini USB interface

Mini USB connection for charging batteries of suitable mobile devices.

Connect the device via the mini USB cable at connection (6). Only one device can be charged at a time.

The charging function via the docking station (4) has priority over the mini USB interface. The device at the mini USB station is only charged after the device at the docking station is completely charged.

# Information for electrically skilled persons

## Installation and electrical connection



### DANGER!

Risk of electric shock on touching parts carrying voltage.

An electric shock can be fatal.

Before working on the device, disconnect the power and cover live parts in the area.

## Connecting and fitting the music centre

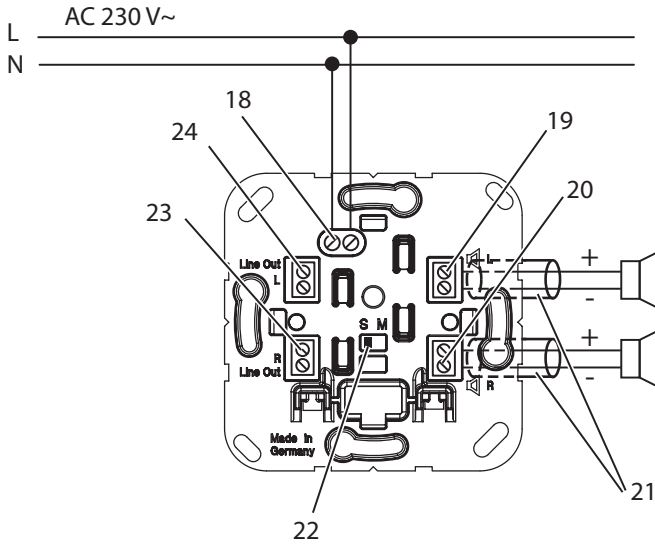


Figure 4: Loudspeaker connection

18. Power supply AC 230 V~
19. Loudspeaker connection left
20. Loudspeaker connection right
21. Insulating sleeve
22. Stereo/mono changeover switch
23. Line out connection right
24. Line out connection left

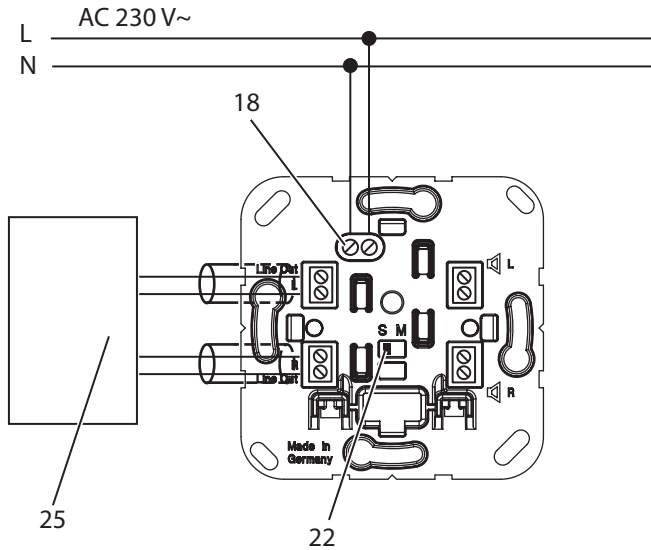


Figure 5: Connection to external amplifier

25. External amplifier or multi-room system



**DANGER!**

**When connecting the loudspeakers or line out and power supply wires to a shared device box, the loudspeakers or line out cables may come into contact with mains voltage.**

**The safety of the entire music centre installation will be endangered. Even persons at remote devices may receive an electrical shock.**

**Lay the loudspeaker or line out cables in the device box in the additional insulation sleeves.**

- Lay the cables for loudspeaker and line out outputs in the device box in insulation sleeves.
  - Connect the insert in accordance with the connection plan (Image 4 and 5).
  - Set mono/stereo operation via the slide switch (22).
- i For operation with one loudspeaker (connection left or right): mono.  
 For connection with 2 loudspeakers (connection left and right): stereo.
- Fitting the music centre in the device box
  - Fit the frame (2) and centre plate (3).
  - Push on the docking station (4) and connect with 2 screws (5).



# Remote control

## Commissioning

- Remove the film (17); the remote control is ready to operate.

## Changing batteries

- Unhook and pull out the battery compartment on the back cover.
- Take out and dispose of the empty batteries.
- Insert new batteries in the battery compartment. Make sure to insert them with correct polarity.
- Insert the battery compartment and snap it into place. The remote control is ready to operate.

# Appendix

## Technical data

### Music Centre

#### Power supply

Rated voltage: .....	AC 230 V ~
Mains frequency .....	50/60 Hz
Connection .....	Screw terminals
Max. clampable cable cross-section .....	2.5 mm <sup>2</sup>
Protection class .....	IP 20

#### AUX

Connection .....	stereo jack 3.5 mm
------------------	--------------------

#### Line out

Output impedance line out .....	470 Ohm
Connection .....	Screw terminals
Max. clampable cable cross-section .....	1.5 mm <sup>2</sup>

#### Loudspeaker

Rated output .....	2 x 1.2 W
Loudspeaker impedance .....	4-8 Ohm
Connection .....	Screw terminals
Max. clampable cable cross-section .....	1.5 mm <sup>2</sup>

#### Charging socket

Rated voltage .....	DC 5 V
Rated current .....	max. 0.8 A
Connection .....	mini USB

#### Infrared remote control

Rated voltage .....	DC 3 V
Battery type .....	1 x CR 2025
Protection class .....	IP 20

## **Warranty**

We reserve the right to carry out technical and formal modifications of the product insofar as they support technical progress.

We only provide statutory warranty cover.

Please send the device, postage paid, to our central Customer Service Centre, with a description of the error.

### **ALBRECHT JUNG GMBH & CO. KG**

Service Centre

Kupferstr. 17-19

D-44532 Lünen

Service line: +49 (0) 23 55 . 80 65 51

Fax: +49 (0) 23 55 . 80 61 89

mail.vki@jung.de

### **Systems (general)**

Service line: +49 (0) 23 55 . 80 65 55

Fax: +49 (0) 23 55 . 80 62 55

mail.vkm@jung.de

### **Systems (KNX)**

Service line: +49 (0) 23 55 . 80 65 56

Fax: +49 (0) 23 55 . 80 62 55

mail.vkm@jung.de

The CE mark is a free trade symbol intended solely for the authorities, and does not carry any guarantee of properties.

ALBRECHT JUNG GMBH & CO. KG

Volmestrasse 1

D-58579 Schalksmühle

Telephone: +49 (0) 2355 806-0

Fax: +49 (0) 2355 806-189

mail.info@jung.de

www.jung.de

www.jung-katalog.de