

Radio switch actuator for rail mounting

Art.-No.: FA 14 REG

Operating instructions

1 Safety instructions

Electrical equipment may only be installed and fitted by electrically skilled persons.

Serious injuries, fire or property damage possible. Please read and follow manual fully.

Danger of electric shock. Always disconnect before carrying out work on the device or load. At the same time, take into account all circuit breakers that supply dangerous voltage to the device or load.

Danger of electric shock. Device is not suitable for disconnection from supply voltage.

These instructions are an integral part of the product, and must remain with the end customer.

2 Device components

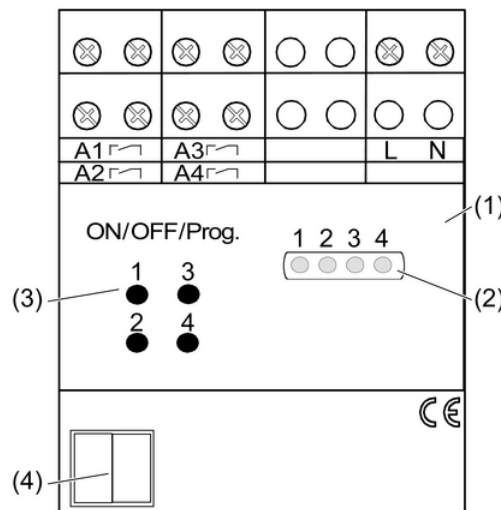


Figure 1

- (1) Switch actuator
- (2) LED
- (3) Programming buttons
- (4) Connection terminal

3 Function

Intended use

- Radio-controlled switching of incandescent lamps, fluorescent lamps, HV halogen lamps and Tronic or inductive transformers with halogen lamps
- Operation with suitable radio transmitters in combination a radio receiver RMD
- Suitable for mixed operation up to the specified output (Technical data)
- Installation in distribution boxes on DIN rail according to DIN EN 60715

i It is not possible to teach a combination of presence detector and motion detector.

Product characteristics

- Manual operation on switch actuator possible
- 4 independent switching outputs

- Light scene operation possible
- 2-point light control in combination with a radio presence detector possible
- Run-on time of approx. 1 minute in connection with radio motion detectors.

4 Operation

Operation with radio transmitter

A radio transmitter has to be taught in order to be able to operate the switch actuator.

- i** Observe the instructions for the radio transmitter.

Operation on the device

Outputs A1 to A4 can be switched on or off locally by pressing the programming buttons briefly. The switching position of the individual channels is indicated by the 4 LEDs.

- Press the programming button (3) of the desired output briefly.
The assigned output is switched on or off.

5 Information for electrically skilled persons

5.1 Fitting and electrical connection



DANGER!

Electrical shock when live parts are touched.

Electrical shocks can be fatal.

Before carrying out work on the device or load, disengage all the corresponding circuit breakers. Cover up live parts in the working environment.

Connecting and mounting the switch actuator

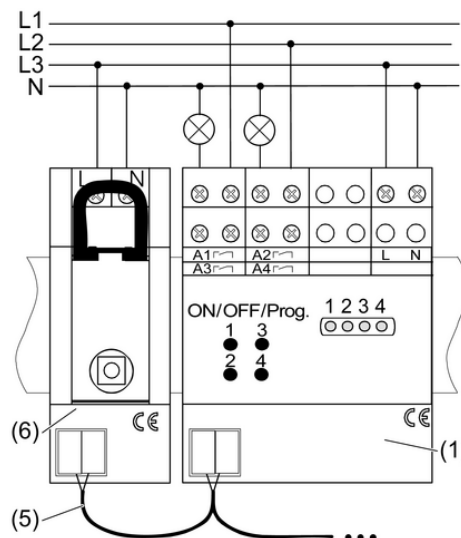


Figure 2

- i** The total length of the bus cables between the RMD devices may not exceed 3 m.
- i** The polarity of the bus cables must not be reversed.
- i** For the bus cable, use a shielded cable with twisted conductors and a conductor diameter of 0.8 mm that is designed for a test voltage of 2.5 kV AC. Examples of permissible bus cables are YCM 2×2×0.8 or J-Y(St)Y 2×2×0.8.
- Mount switch actuator (1) on DIN rail.

- Connect switch actuator according to connection diagram (figure 2). Outputs A1 to A4 can be connected to various phases.
- Connect switching actuator via a bus cable (5) with the radio receiver RMD (6) and/or additional radio actuators.
- Switch on mains voltage.

5.2 Commissioning

- Observe the instructions for the radio transmitter.



DANGER!

Electrical shock when live parts are touched.

Electrical shocks can be fatal.

Before working on the device, cover up live parts in the working environment.

Teaching a radio transmitter

- If all memory slots are occupied, a radio transmitter which has already been taught must first be deleted. To do this, delete all taught channels and light scenes of the radio transmitter individually.

The distance between the receiver and the radio transmitter is from 0.5 m to 5 m.

One of the programming buttons 1 to 4 is assigned to each switching output. The switching position of the individual outputs is indicated by the 4 LEDs.

Load is switched off.

- Press the programming button of the desired switching output for approx. 4 seconds. The LED blinks. The device is in programming mode for approx. 1 minute.
- Trigger teach telegram on radio transmitter (see instructions for radio transmitter). LED lights up. The radio transmitter has been taught.
- Press the programming button of the corresponding output briefly. The Switch actuator is in operating mode.

- The programming mode is exited automatically after about 1 minute.

- Teach light scene buttons separately.

- When a radio transmitter is taught, All On and All Off buttons that are present are automatically also taught.

Deleting radio transmitters individually

- Teach the radio transmitter to be deleted again (see Teaching a radio transmitter). LED blinks quickly. The radio transmitter has been deleted.

- If several channels or light scenes of a radio transmitter have been taught, they all must be deleted individually.

6 Appendix

6.1 Technical data

Rated voltage	AC 230 V ~
Mains frequency	50 / 60 Hz
Ambient temperature	0 ... +45 °C
Storage/transport temperature	-25 ... +70 °C
Connected load at 35 °C	

- Power specifications including transformer power dissipation.

- Operate inductive transformers with at least 85% nominal load.

Incandescent lamps	2300 W
HV halogen lamps	2300 W
Inductive transformers	1000 VA
Tronic transformers	1500 W

Radio Management

Radio switch actuator for rail mounting

Fluorescent lamps, uncompensated	1200 VA
Fluorescent lamps, parallel compensated	920 VA
Fluorescent lamps, duo circuit	2300 VA
Contact type	μ contact, potential-free NO contact
teachable radio transmitters per output	max. 30
Switching current	10 A
Connection	
Single stranded	1.5 ... 4 mm ²
finely stranded without conductor sleeve	0.75 ... 4 mm ²
finely stranded with conductor sleeve	0.5 ... 2.5 mm ²
Fitting width	72 mm / 4 modules

6.2 Troubleshooting

Device does not respond, or only sometimes.

Cause 1: battery in the transmitter is empty.

Change the battery.

Cause 2: Radio range exceeded. Structural obstacles reduce the range.

Check the installation situation.

Using a radio repeater.

6.3 Accessories

Master receiver for rail mounting

Art.-No.: FK 100 REG

6.4 Warranty

We reserve the right to make technical and formal changes to the product in the interest of technical progress.

We provide a warranty as provided for by law.

Please send the unit postage-free with a description of the defect to our central customer service office.

ALBRECHT JUNG GMBH & CO. KG

Volmestraße 1
58579 Schalksmühle

Telefon: +49.23 55.8 06-0
Telefax: +49.23 55.8 06-2 04
kundencenter@jung.de
www.jung.de

Service Center

Kupferstr. 17-19
44532 Lünen
Germany