

Radio antenna
Art.-No.: F-ANT

Operationsmanual

1 Safety instructions

Electrical equipment may only be installed and fitted by electrically skilled persons.

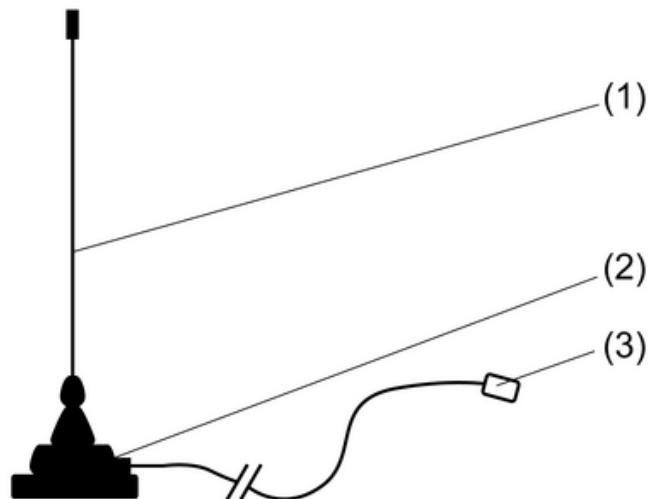
Failure to observe the instructions may cause damage to the device and result in fire and other hazards.

The radio antenna including the antenna cable are not electrically isolated. Isolate the antenna and antenna cable from mains voltage in a reliable manner using suitable isolation measures.

To ensure adequate contact protection, operate device only with the slide in use.

These instructions are an integral part of the product, and must remain with the end customer.

2 Device components



picture 1

- (1) Antenna
- (2) Magnetic base
- (3) Antenna connector

3 Function

Intended use

The radio antenna supplements the integrated antenna of the radio receiver RMD in case of unfavourable installation conditions, e.g. a metallic distribution box.

4 Information for qualified electricians

4.1 Fitting and electrical connection

**DANGER!**

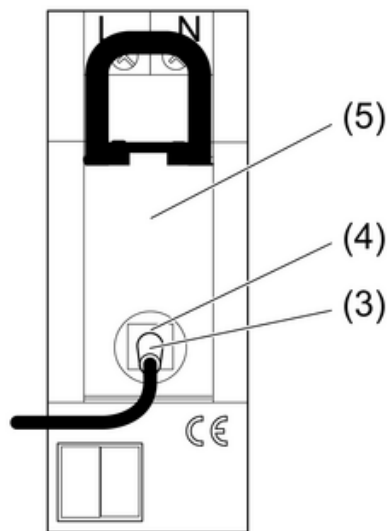
Electrical shock when live parts are touched.

Electrical shocks can be fatal.

Before carrying out work on the device or load, disengage all the corresponding circuit breakers. Cover up live parts in the working environment.

- i** To ensure optimal reception, place antenna on an electrically conductive surface; 50×50 cm is ideal. The antenna should be as close as possible to a 90° angle relative to the surface.

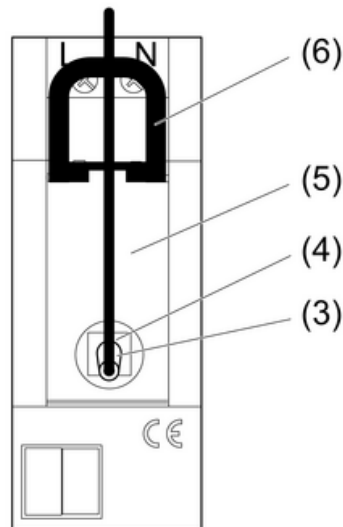
Routing the antenna in front of the panel cover of the distributor



picture 2

- Insert the antenna connector (3) into the SMB socket (4) of the radio receiver RMD (5) (picture 2).
- Route the antenna out of the distributor providing reliable isolation.

Routing the antenna in behind the panel cover of the distributor



picture 3

- Unlock the black slide (6) by pulling up on the bow and pull out slide (picture 3).
 - Insert the antenna connector (3) into the SMB socket (4) of the radio receiver RMD (5).
 - Re-insert the black slide until it engages noticeably.
- i** The slide fixes the cable in place and ensures that the maximum installation height in the distributor is maintained.

5 Appendix

5.1 Technical data

Antenna length
Cable length
Connection

17 cm
2.7 m
SMB connector

5.2 Warranty

We reserve the right to make technical and formal changes to the product in the interest of technical progress.

We provide a warranty as provided for by law.

Please send the unit postage-free with a description of the defect to our central customer service office:

ALBRECHT JUNG GMBH & CO. KG

Service Center
Kupferstr. 17-19
D-44532 Lünen
Service-Line: +49 (0) 23 55 . 80 65 51
Telefax: +49 (0) 23 55 . 80 61 89
mail.vka@jung.de

General equipment

Service-Line: +49 (0) 23 55 . 80 65 55
Telefax: +49 (0) 23 55 . 80 62 55
mail.vkm@jung.de

KNX equipment

Service-Line: +49 (0) 23 55 . 80 65 56
Telefax: +49 (0) 23 55 . 80 62 55
mail.vkm@jung.de

The € symbol is a free trade symbol, which is solely intended for the authorities and does not guarantee any properties.

ALBRECHT JUNG GMBH & CO. KG

Volmestraße 1
D-58579 Schalksmühle

Telefon: +49.23 55.8 06-0
Telefax: +49.23 55.8 06-1 89
E-mail: mail.info@jung.de
Internet: www.jung.de
www.jung-katalog.de