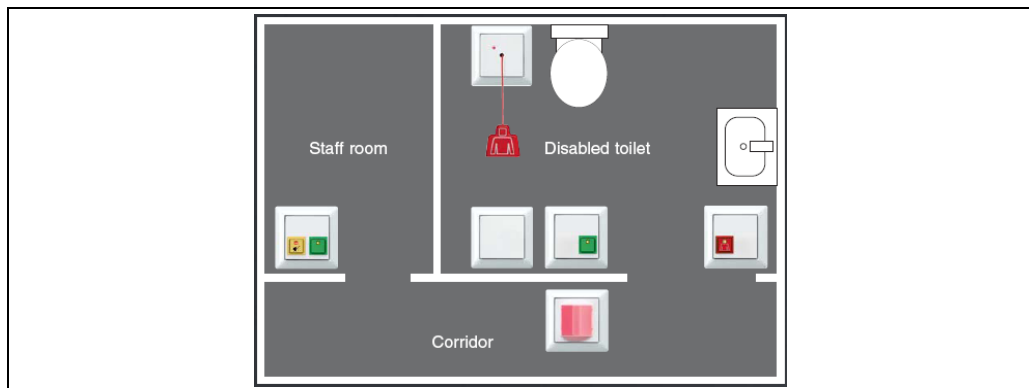


## Operating instructions Emergency system set



### 1. Safety instructions

**Electrical equipment must be installed and fitted only by qualified electricians and in observance of the current accident prevention regulations.**

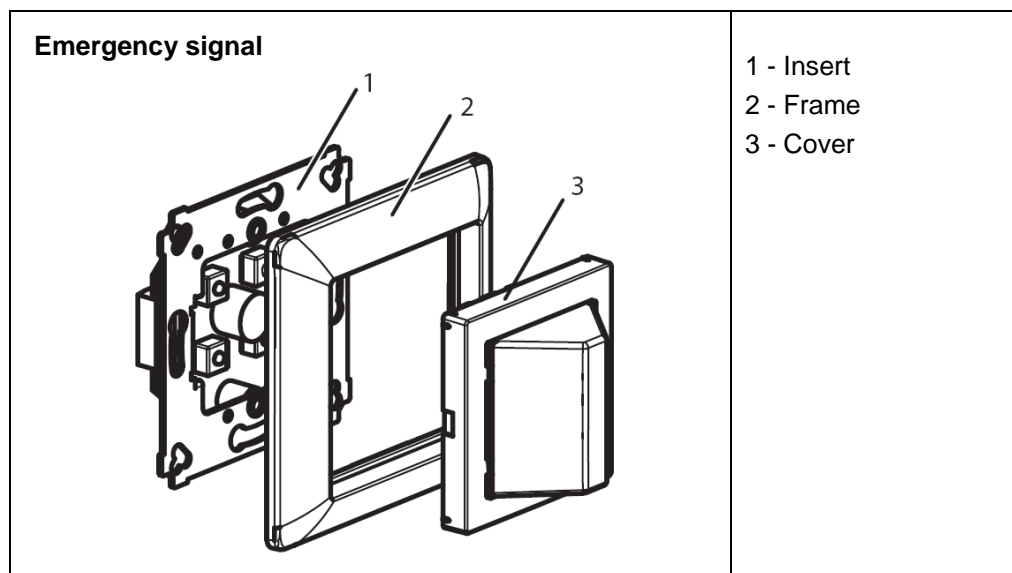
**Non-observance of the safety warnings or installation instructions may cause fire or other hazards.**

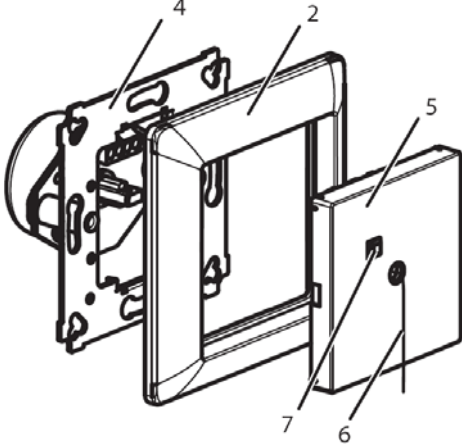
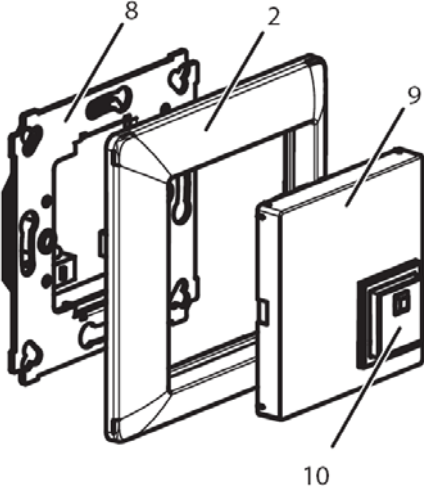
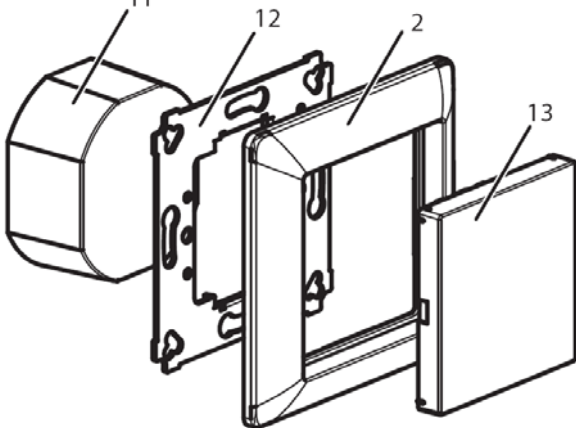
**When installing the emergency system the general safety regulations for telecommunication systems must be observed according to VDE 0800.**

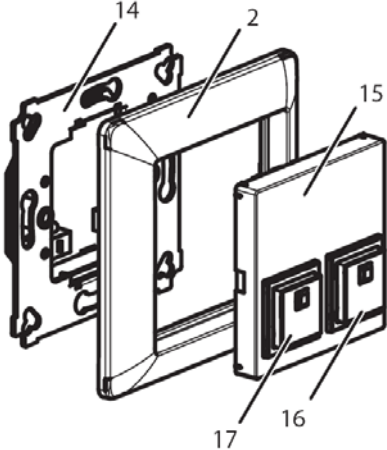
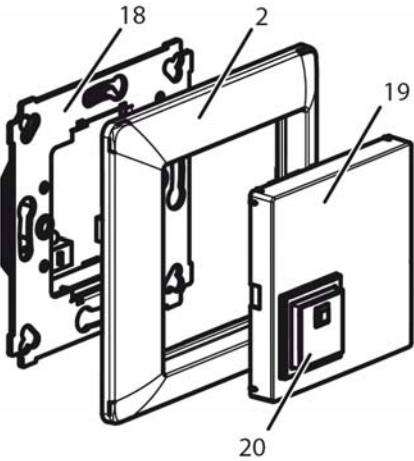
**This operation instruction is part of the system and must remain at the customer.**

### 2. System overview

The emergency system set consists of the single devices pull cord button, emergency signal, reset button and power supply. The emergency system set can be extended with the service unit.



<p><b>Pull cord push-button</b></p> 	<p>4 - Insert 5 - Cover 6 - Pull cord 7 - Status light</p>
<p><b>Reset button</b></p> 	<p>8 - Insert 9 - Cover 10 - Reset button</p>
<p><b>Power supply</b></p> 	<p>11 - Power supply 12 - Supporting frame 13 - Cover</p>

<p><b>Service unit</b></p>  <p>14 - Insert 2 - Frame 15 - Cover 16 - Reset optical call 17 - Reset acoustical call</p>	<p><b>(not included in the set)</b></p> <p>14 - Insert 15 - Cover 16 - Reset optical call 17 - Reset acoustical call</p>
<p><b>Call button</b></p>  <p>18 - Insert 2 - Frame 19 - Cover 20 - Status light</p>	<p>18 - Insert 19 - Cover 20 - Status light</p>

## 3. Function

### 3.1. Intended use

- Emergency system for disabled restrooms in public buildings according to DIN / EN 0834
- Installation into flush box according to DIN 49073

### 3.2. Product characteristics

- Pull cord push-button with status light
- Reset of calls with the reset button
- Service unit with optical and acoustical indication
- Call triggered via floating contact

## 4. Operation

### 4.1. Send emergency call

Activate call with pull cord push-button

Deactivate call with reset button

## Information for electricians

## 5. Installation and electrical connection

Mounting height according to DIN VDE 0834 (Call systems in hospitals, nursing homes and similar facilities).

Pull cord push-button:

Min. installation height: 20 cm higher than the shower head

The pull cord has to reach 10 cm over the floor and be accessible for a person lying on the floor.

Operating devices: 0.7 - 1.5 m over the floor

Operating devices with text: 1.5 - 1.7 m over the floor

Devices with installation units: 1.6 - 1.8 m over the floor

Signal lights and text displays: 1.5 - 2.2 m over the floor

Operation units for wheelchair user: 0.85 m over the floor

**Installation and connection of calling systems is only permitted for trained electricians.**

---

### Danger

**Electric shocks possible when touching live components in the installation environment.**

**Electric shock can lead to death.**

**Disconnect the mains (by cutting out the circuit breaker) before working on the devices and cover live components in the installation environment!**

---

## 5.1. Jumper of the emergency signal (21)

### Jumper 1 (JP1)

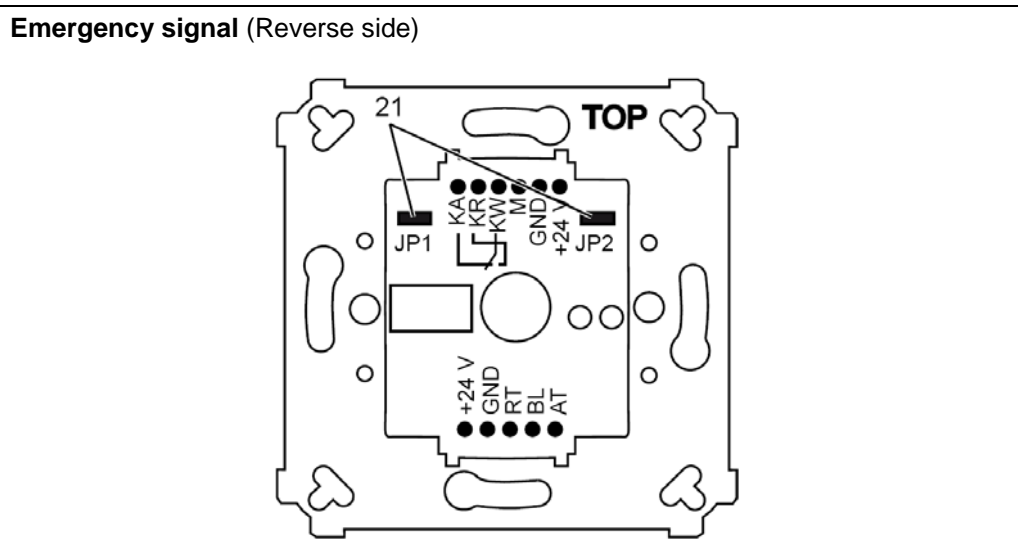
closed: Activated buzzer of the emergency signal

open: Deactivated buzzer (Factory settings)

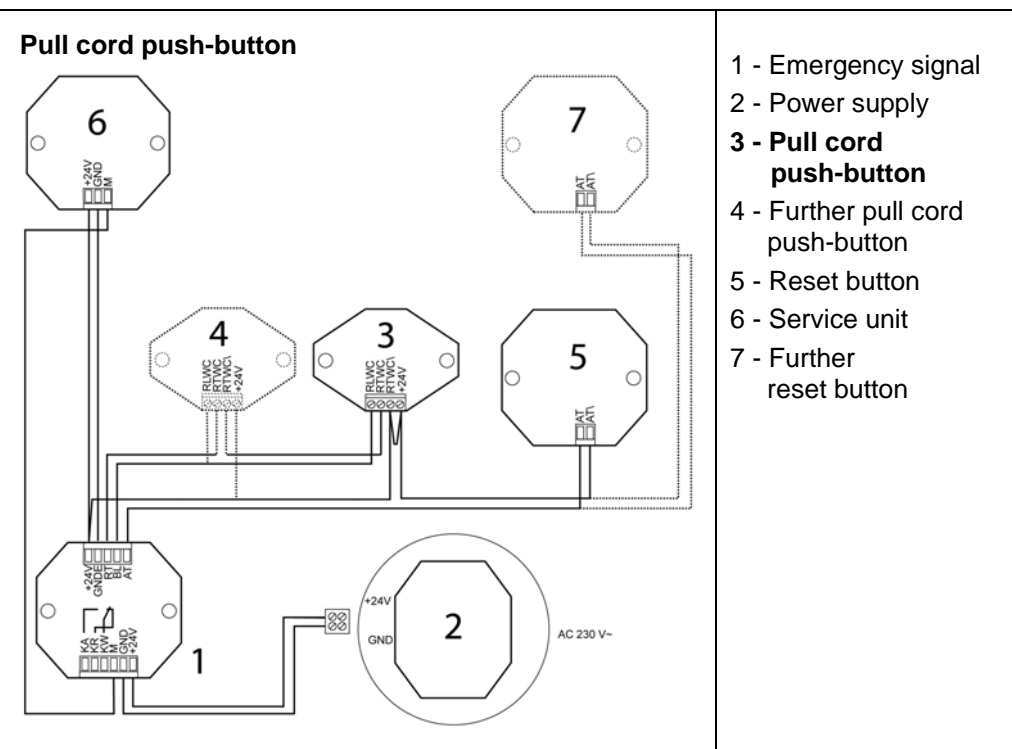
### Jumper 2 (JP2)

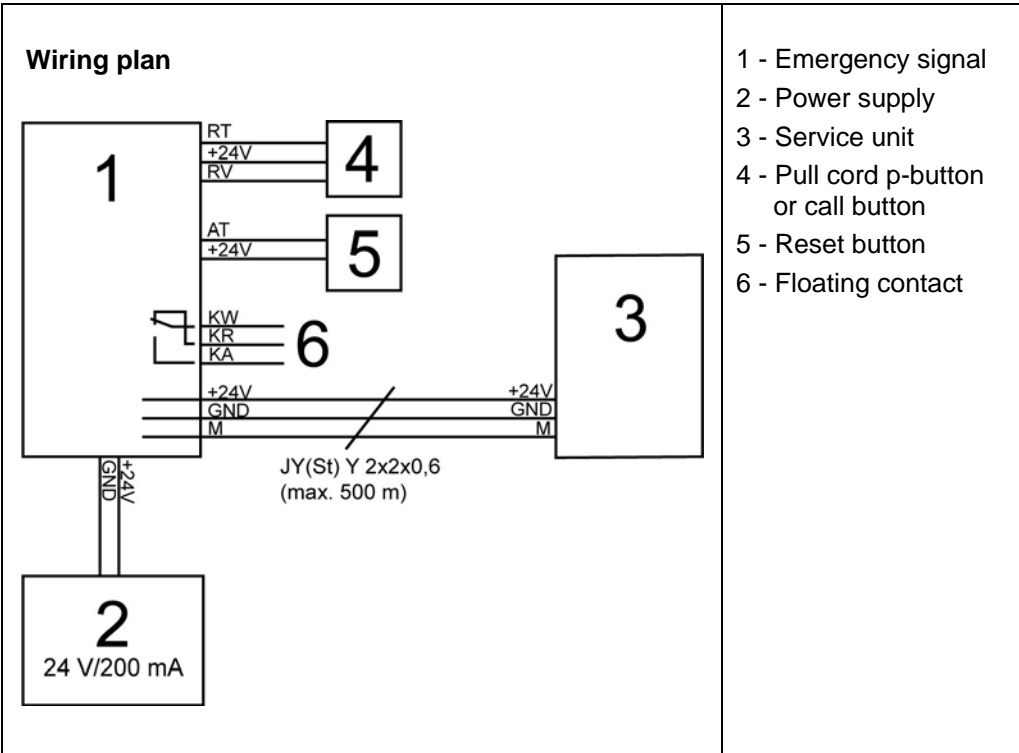
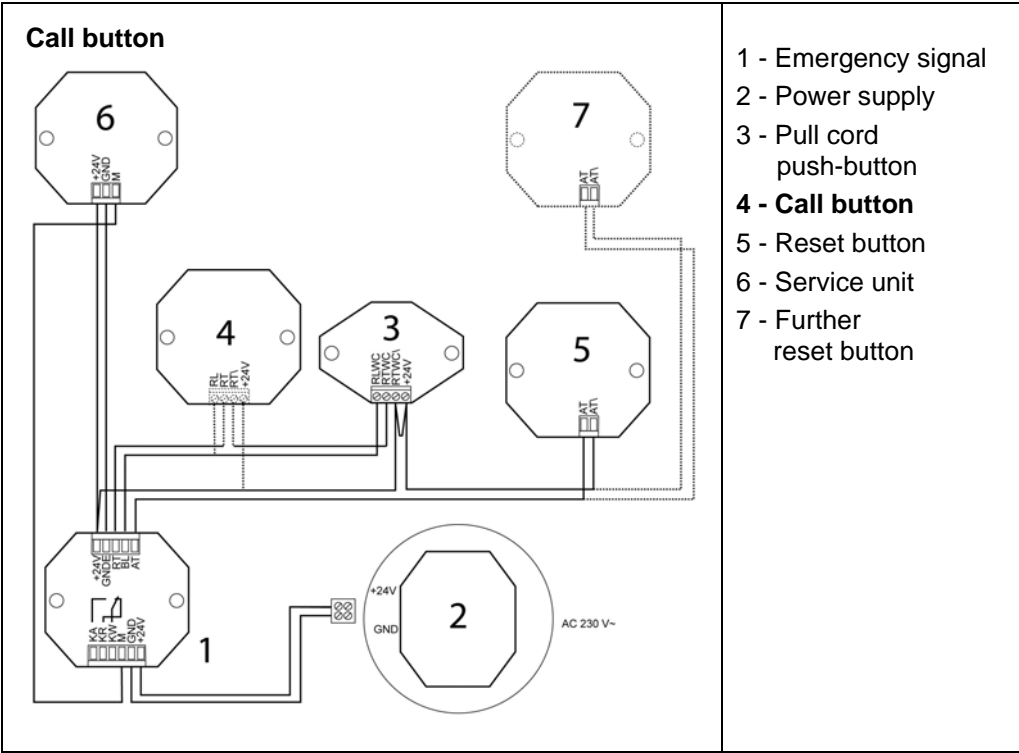
closed: Signal light and buzzer (also service unit) with permanent sound (Factory settings)

open: Signal light and buzzer intermittently (also service unit)



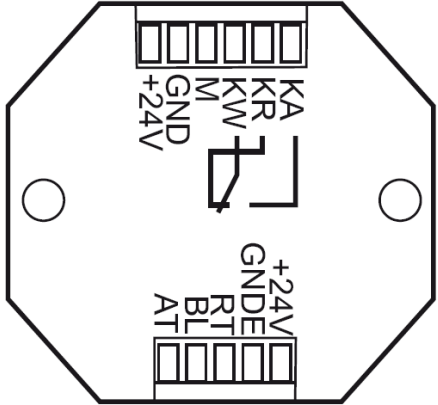
## 5.2. Wiring






## 5.3. Connection terminals

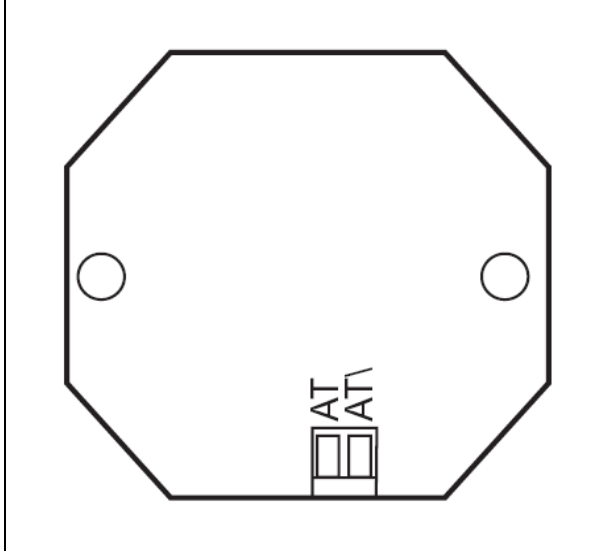
### 5.3.1. Emergency signal

	<p>Ref-No.: NRSAS0834RM.. Ref-No.: NRSL0834RM.. Optical and acoustical call identification, floating contact</p> <table border="0"> <tr> <td>+24VE</td> <td>+24V external</td> </tr> <tr> <td>GNDE</td> <td>GND external</td> </tr> <tr> <td>RT</td> <td>Call button</td> </tr> <tr> <td>BL</td> <td>Status light</td> </tr> <tr> <td>AT</td> <td>Reset button</td> </tr> <tr> <td>KA</td> <td>Make contact</td> </tr> <tr> <td>KR</td> <td>Break contact</td> </tr> <tr> <td>KW</td> <td>Contact input</td> </tr> <tr> <td>M</td> <td>Service unit terminal</td> </tr> <tr> <td>GND</td> <td>Power supply -</td> </tr> <tr> <td>+24V</td> <td>Power supply +</td> </tr> </table>	+24VE	+24V external	GNDE	GND external	RT	Call button	BL	Status light	AT	Reset button	KA	Make contact	KR	Break contact	KW	Contact input	M	Service unit terminal	GND	Power supply -	+24V	Power supply +
+24VE	+24V external																						
GNDE	GND external																						
RT	Call button																						
BL	Status light																						
AT	Reset button																						
KA	Make contact																						
KR	Break contact																						
KW	Contact input																						
M	Service unit terminal																						
GND	Power supply -																						
+24V	Power supply +																						

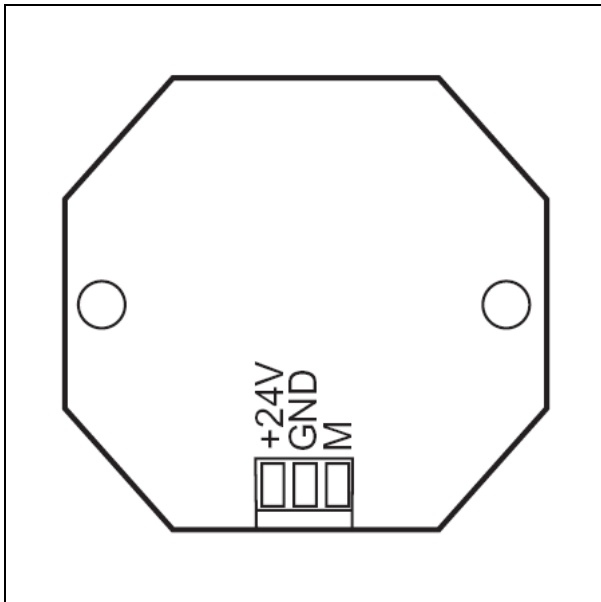
### 5.3.2. Pull cord push-button

	<p>Ref-No.: NRSAS0834ZT.... Ref-No.: NRSL0834ZT.. Pull cord push-button with status light</p> <table border="0"> <tr> <td>RLWC</td> <td>Lamp</td> </tr> <tr> <td>RTWC</td> <td>Pull cord push-button (IN)</td> </tr> <tr> <td>RTWC\</td> <td>Pull cord push-button (OUT)</td> </tr> <tr> <td>+24V</td> <td>Power supply +</td> </tr> </table>	RLWC	Lamp	RTWC	Pull cord push-button (IN)	RTWC\	Pull cord push-button (OUT)	+24V	Power supply +
RLWC	Lamp								
RTWC	Pull cord push-button (IN)								
RTWC\	Pull cord push-button (OUT)								
+24V	Power supply +								

### 5.3.3. Reset button

	<p>Ref-No.: NRSAS0834AT.... Ref-No.: NRSL0834AT..</p> <p>Reset button to reset the call. Various reset button can be installed in parallel</p> <p>AT            Reset button (IN) AT\          Reset button (OUT)</p>
------------------------------------------------------------------------------------	-----------------------------------------------------------------------------------------------------------------------------------------------------------------------------------------------------------------------------------

### 5.3.4. Service unit

	<p>Ref-No.: NRSAS0834DZE.... Ref-No.: NRSL0834DZE..</p> <p>Optional operation and control unit with acoustical and optical call Call suppression Call interruption for 20 s Various service units can be installed in parallel.</p> <p>M            Emergency signal terminal</p> <p>GND        Power supply - +24V       Power supply +</p>
--------------------------------------------------------------------------------------	------------------------------------------------------------------------------------------------------------------------------------------------------------------------------------------------------------------------------------------------------------------------------------------------------------------------------------------------------------------

## 6. Appendix

### 6.1. Accessories

Emergency signal	NRS .. 0834 RM ..
Pull cord push-button	NRS .. 0834 ZT ..
Reset button	NRS .. 0834 AT ..
Power supply	NRS .. 0834 NT ..
Service unit	NRS .. 0834 DZE ..
Call button	NRS .. 0834 RT..
Pull cord	ZS-34 KO5S



## 6.2. Technical data

### General

Ambient temperature	+5 ... +40 °C
Storing temperature	-25 ... +75 °C
Distance emergency signal - service unit	max. 500 m
Connection 24 V	single wire, 0.3 ..1.4 mm
Wire 24 V	J-Y(St) Y 2x2x0.6

### Power supply

Input voltage	AC 230 / 240 V ~
Supply frequency	50 / 60 Hz
Output voltage	DC 24 V
Output current	250 mA

### System voltage

DC 24 V

(for Emergency signal, Call button, Reset button and Service unit)

## 6.3. Acceptance of guarantee

We accept the guarantee in accordance with the corresponding legal provisions.  
**Please return the unit postage paid to our central service department giving a brief description of the fault:**

ALBRECHT JUNG GMBH & CO. KG



### Service-Centre

Kupferstr. 17-19  
D-44532 Lünen

Service-Line: 0 23 55 . 80 65 51  
Fax: 0 23 55 . 80 61 89  
E-Mail: mail.vki@jung.de

### Technique

Service-Line: 0 23 55 . 80 65 55  
Fax: 0 23 55 . 80 62 55  
E-Mail: mail.vkm@jung.de

 The - sign is a free trade sign addressed exclusively to the authorities and does not include any warranty of any properties.