

**LED spotlight Plug & Light**

Art. no.: PL S1 D05.., PL S1 WD05..

**Operating instructions**

**1 Safety instructions**

These instructions are an integral part of the product, and must remain with the end customer.

**Risk of suffocation by swallowing small parts.** Make sure that the magnets for dismantling a light attachment do not fall into the hands of children.

The product contains a magnet that may interfere with the function of electronic implants, such as pacemakers and insulin pumps.

Persons with electronic implants should not wear the product close to their body, e.g. in trouser or shirt pockets. Maintain a minimum distance of 10 cm between the product and electronic implants.

The product contains a magnet that can damage electronic devices such as laptops, hearing aids, and data carriers such as credit cards, as well as mechanical watches and speakers. Maintain a minimum distance of 10 cm between the product and any listed devices and data carriers.

**2 Intended use**

- Light attachment for indoor lighting in monochrome (single-colour light) and warm dimming versions
- Operation with the light socket of the Plug & Light system
- Wall or ceiling mounting by plugging onto the light socket of the Plug & Light system

**3 Product characteristics**

- Monochrome: Dimming with suitable LED dimmer at constant colour temperature of 2700 K
- Warm dimming: Changing the colour temperature between 2700 K and 4000 K with simultaneous brightness increase from minimum to maximum, with suitable LED dimmer
- Symmetrical optics, beam angle of 35°
- Flicker-free light over the entire dimming range
- Light attachment can be changed during ongoing operation
- Adjustable anti-glare ring via 3 latch positions (5, 10 and 15 mm)
- Swivelling by 90°
- Stepless rotation through 360°

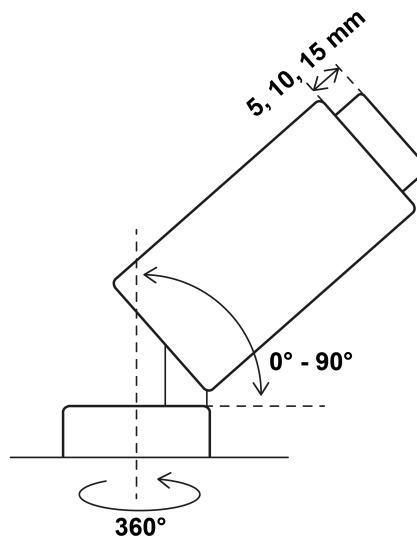


Figure 1

## 4 Cleaning

Do not use any aggressive or abrasive cleaning agents to clean the light attachment!

Before cleaning, switch off the light attachment and let it cool down. Then clean with a moistened soft cloth.

Wipe over acrylic glass optics carefully with a dry, soft microfiber cloth. To clean thoroughly, soak the microfiber cloth with isopropyl or optic cleaning agent.

## 5 Lamps

The LED lamps in the light attachment cannot be replaced. If it is defective, exchange the entire light attachment.

## 6 Mounting

### Mounting the light attachment

The light attachment is attached to the light socket by means of a strong magnet and additionally by means of a mechanical lock.

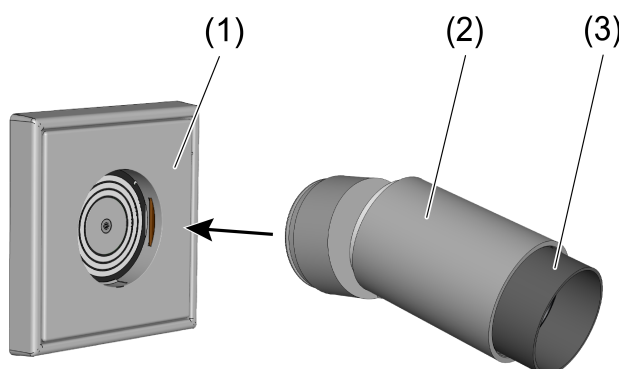


Figure 2: Mounting the light attachment

Prerequisite: The light socket is electrically connected and mounted.

- Place the light attachment (2) on the mounted light socket (1) (Figure 2).

### Adjusting the anti-glare ring

The anti-glare ring can be adjusted via 3 latch positions (5, 10 and 15 mm).

- To move the anti-glare ring (3) of the light attachment to the next position, push or pull the anti-glare ring.

## 7 Dismantling

The mechanical securing must be unlocked by means of a magnet (accessory).

### Dismantling a light attachment

- Place the magnet (5) at the level of the marking (4) at the light attachment (Figure 3).
  - Pull the magnet outwards in the direction of the marking until a click is heard.
  - Remove light attachment.
- i** Do not remove the magnet until the light attachment has been removed.
- i** Tilting the light attachment downwards will make it easier to pull out.

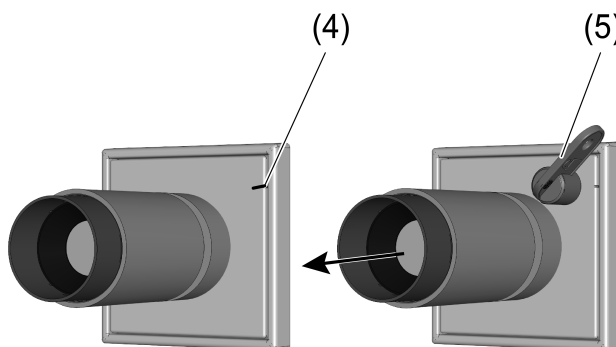


Figure 3: Dismantling a light attachment

## 8 Technical data

Rated voltage	DC 12 V SELV
Power consumption	5.6 W
Connection	Electrical coupling via gold-plated sliding contacts
Degree of protection	IP 20
Protection class	III
Ambient temperature	+5 ... 25°C
Storage and transport temperature	-25 ... 70°C
Rel. humidity (storage/transport)	max. 93 % (no moisture condensation)
Diameter	42 mm
Length	80 mm (without cover) 85 - 95 mm (with cover)
Housing material	Aluminium / plastic

## 9 Accessories

Power supply Plug & Light	Art. no. PL 08 U
Release magnet	Art. no. PL MAGNET01
Centre plate for power supply Plug & Light	Art. no. PL..DMS..

## 10 Warranty

The warranty follows about the specialty store in between the legal framework as provided for by law.

**ALBRECHT JUNG GMBH & CO. KG**

Volmestraße 1

58579 Schalksmühle

GERMANY

Telefon: +49 2355 806-0

Telefax: +49 2355 806-204

[kundencenter@jung.de](mailto:kundencenter@jung.de)

[www.jung.de](http://www.jung.de)