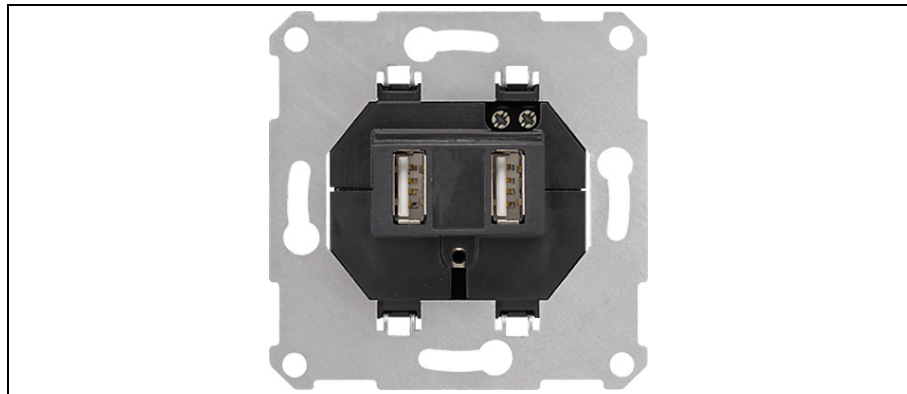


## Operating Instructions USB charger



Electrical devices may only be installed and fitted by electrically skilled persons.  
Risk of electric shock! Before working on the device or on the load, disconnect the supply voltage.  
Non-compliance with the instructions could cause damage to the device, fire or other hazards.  
These instructions are a component part of the product and must remain with the end customer.

### 1. Structure of the device

See figure 1

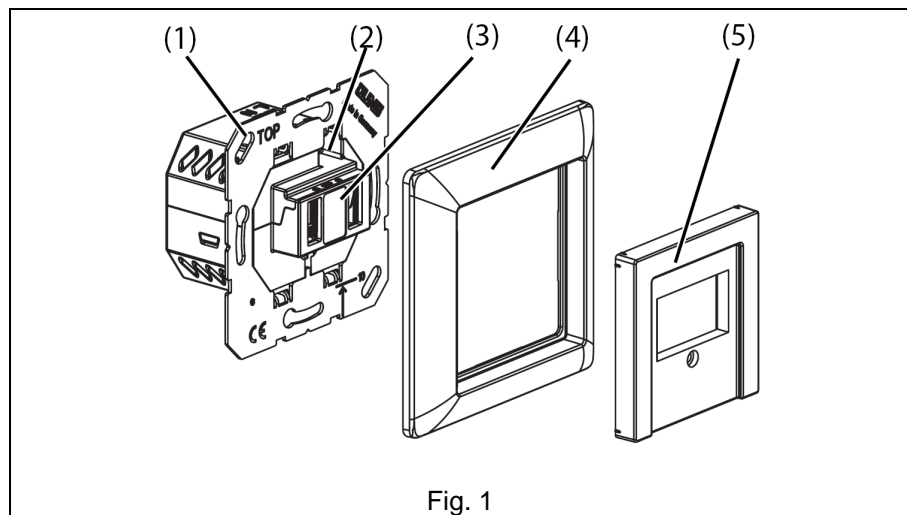


Fig. 1

- (1) USB charger
- (2) Power supply terminals
- (3) USB sockets
- (4) Frame
- (5) Cover

## 2. Function

### 2.1. Intended purpose

- Battery charging station for mobile devices with USB connection
- Installation in appliance box according to DIN 49073

### 2.2. Product characteristics

- Simultaneous charging of 2 devices possible.
  - Installation into multiple frame with other devices possible.
- ⓘ Observe charging instructions of devices!

## Information for electrically skilled persons

## 3. Installation and electrical connection



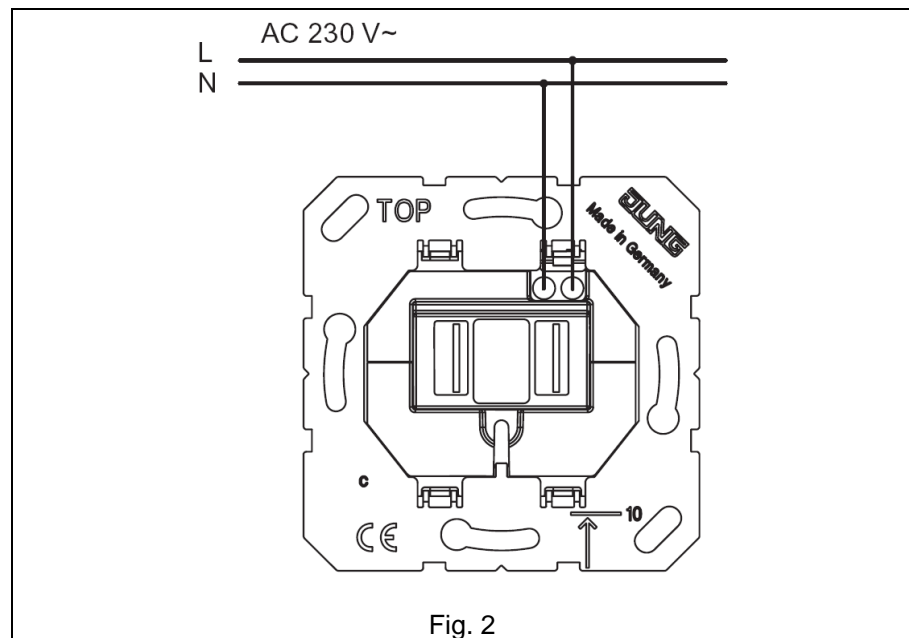
### DANGER!

Electric shock from touching live parts in the installation environment.

An electric shock can be fatal.

Before working on the device, disconnect the power and cover live parts in the area.

- Connect the device according to wiring diagram (Fig. 2).



- Install the device.
- Install frame and cover onto the device.
- Supply voltage can be switched on.

## 4. Technical data

Rated voltage	AC 230 V ~
Mains frequency	50/60 Hz
Terminal	screw terminals
Output voltage	DC 5 V (+-5%)
Output current	2 x 700 m A 1 x 1400 mA

## 5. Accessories

Centre plate for mono/stereo loudspeaker socket	..569 T..
--	-----------

## 6. Guarantee

Our products are under guarantee within the scope of the statutory provisions.

**Please return the unit postage paid to our central service department giving a brief description of the fault:**


ALBRECHT JUNG GMBH & CO. KG  
Service-Center  
Kupferstr. 17-19  
D-44532 Lünen  
Service-Line: +(49) 23 55 . 80 65 51  
Telefax: +(49) 23 55 . 80 61 65  
E-Mail: mail.vka@jung.de

### General equipment

Service-Line: +(49) 23 55 . 80 65 55  
Telefax: +(49) 23 55 . 80 62 55  
E-Mail: mail.vkm@jung.de

### KNX equipment

Service-Line: +(49) 23 55 . 80 65 56  
Telefax: +(49) 23 55 . 80 62 55  
E-Mail: mail.vkm@jung.de

 The CE-Sign is a free trade sign addressed exclusively to the authorities and does not include any warranty of any properties.