

Flat wall-mounted radio transmitter 1-channel

Art.-No.: ..41F..

Flat wall-mounted radio transmitter 2-channel

Art.-No.: ..42F..

Flat wall-mounted radio transmitter 4-channel

Art.-No.: ..44F..

## Operating instructions

### 1 Safety instructions

Electrical equipment may only be installed and fitted by electrically skilled persons.

Failure to observe the instructions may cause damage to the device and result in fire and other hazards.

Keep button cells out of reach of children! If button cells are swallowed, get medical help immediately.

Risk of explosion! Do not throw batteries into fire.

Risk of explosion! Do not recharge batteries.

The radio communication takes place via a non-exclusively available transmission path, and is therefore not suitable for safety-related applications, such as emergency stop and emergency call.

These instructions are an integral part of the product, and must remain with the end customer.

### 2 Device components

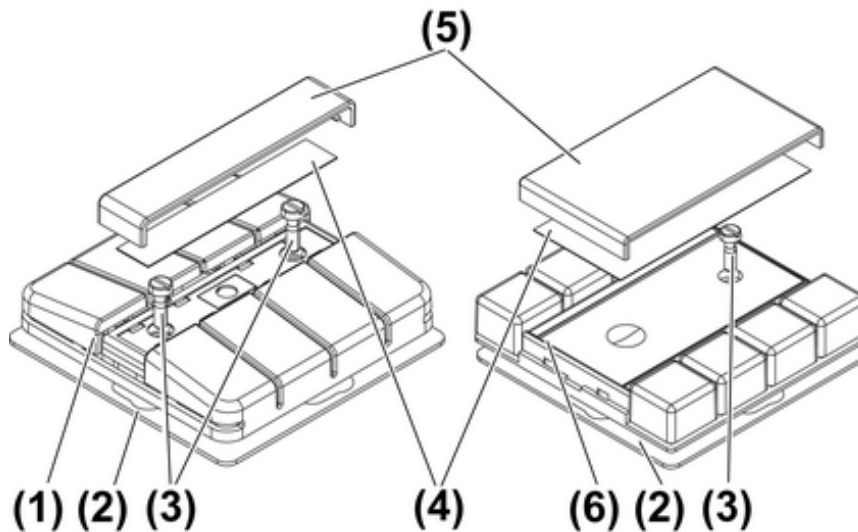


Figure 1

- (1) Wall transmitter, CD range
- (2) Base plate
- (3) Fastening screws
- (4) Inscription panel
- (5) Inscription panel cover
- (6) Wall transmitter, LS range

### 3 Function

#### System information

By statute, the reception characteristics and the antenna cannot be changed.

The device may be operated in all EU and EFTA countries.

The declaration of conformity can be viewed on our website.

The range of a radio system from the transmitter to the receiver depends on various circumstances.

The range of the system can be optimised by selecting the optimal installation location, taking into account the structural circumstances.

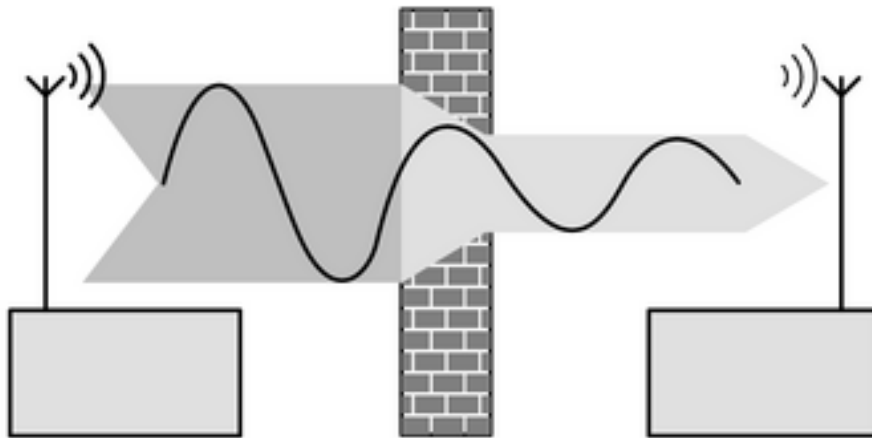


Figure 2: Reduced range due to structural obstacles

#### Example of penetration of various materials:

| Material                    | Penetration   |
|-----------------------------|---------------|
| Wood, plaster, plasterboard | approx. 90%   |
| brick, chipboard            | approx. 70%   |
| Reinforced concrete         | approx. 30%   |
| Metal, metal grid           | approx. 10%   |
| Rain, snow                  | approx. 1-40% |

#### Intended use

- Radio transmitter for transmission of switching, dimming, blind movement and light scene commands
- Surface-mounted
- Operation with suitable radio actuators

#### Product characteristics

- Each two opposite buttons belong to one channel
- Functions can be set with 3gang function switch
- Special functions "All Off" or "Light scene" can be assigned to individual buttons
- Battery-powered device

## 4 Operation

### Channel assignment of the wall transmitter

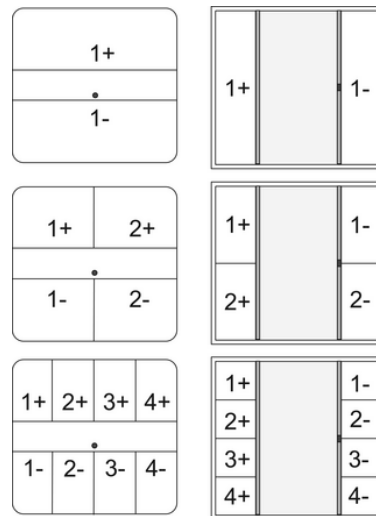


Figure 3: Channel assignment

### Sending radio telegrams

- Press channel button, e.g. **1+**, to transmit a radio telegram.  
The corresponding LED lights up as an acknowledgement.

As long as no light scene functions were selected, the following responses occur, depending on the type of receiver:

| Button    | Length               | Lighting   | Venetian blind   |
|-----------|----------------------|------------|------------------|
| <b>X+</b> | less than 1 second   | Switch on  | Slat adjustment  |
| <b>X-</b> | less than 1 second   | Switch off | Slat adjustment  |
| <b>X+</b> | longer than 1 second | brighter   | Blind moves up   |
| <b>X-</b> | longer than 1 second | darker     | Blind moves down |

- i** The maximum transmitting length is 12 seconds, even if another button is pressed after that.
- i** If more than one button is pressed at the same time, the radio telegram of only one button is transmitted.

### Calling up light scenes

Light scene button has been taught (see Commissioning).

The function switch of the corresponding button is set to **OFF**.

- Press the light scene button for shorter than 3 seconds.  
Receivers switch to the stored light scene value.

### Save light scene

Light scene button has been taught (see Commissioning).

- Set the required lighting situation.
- Press the light scene button for longer than 3 seconds.

First the old light scene is called up; do not release the button during this. After about 3 seconds the new light scene is saved and activated.

- i** If during saving of a light scene the blind is not in an end position, or is on the way there, then that blind is not integrated into the light scene.

#### Call up All Off

In the teaching procedure for a channel button or a light scene button, the All Off button of the receiver is automatically also taught, with the exception of radio blind actuators.

Function switch 1 is in the **OFF** position (see Commissioning chapter).

- Press button **1**- longer than 1 second.  
The loads at all taught receivers are switched off.

## 5 Information for electrically skilled persons

### 5.1 Fitting and electrical connection

#### Connecting and fitting the device

Maintain a distance of at least 1 m between transmitter and receiver.

Maintain distance to large metal surfaces, e.g. metallic door frames.

- i** Perform commissioning and teaching procedures before installation (see chapter Commissioning).
  - Carefully remove inscription panel cover (5) and inscription panel (4) from the wall transmitter (figure 1).
  - Slacken fastening screws (3).
  - Remove wall transmitter (1) from the base plate (2).
  - Inset battery if necessary (see section Changing the battery).
  - If necessary, set functions using function switch (see Commissioning chapter).
  - Glue or screw the base plate to an even surface (information on gluing mounting). The **TOP/OBEN** label has to be at the top.
  - Screw wall transmitter onto base plate.
  - Attach covers with labelling fields.

#### Information on gluing mounting

To be able to fasten the wall transmitter safely, the substrate must be flat and free of dust and grease.

- Remove the rear, unpunched film of the enclosed adhesive pad.
- Align the adhesive pad, stick it to the surface and smooth it out. Remove air bubbles.
- Remove the two inner segments of the front film.
- Align the base plate to the external punching and stick it on.

- i** In the case of multiple combinations, the abutting sides of the adhesive pads must be cut along the external punching using a ruler and a cutter (figure 4).

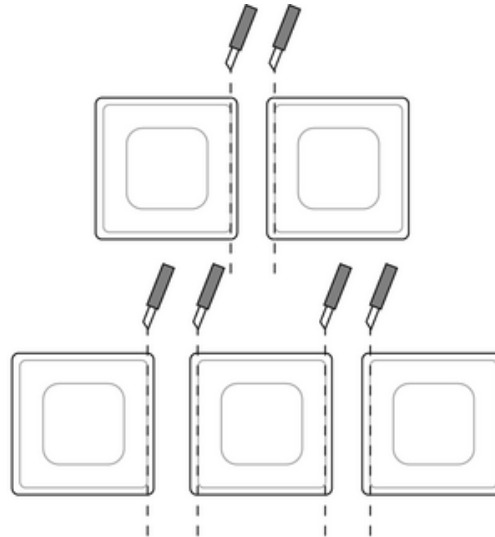


Figure 4: Cutting the adhesive pads for multiple combinations

- i If necessary, after mounting the wall transmitter in the CD program, carefully remove the excess adhesive film in the corners.

### Changing the battery



#### **WARNING!**

**Risk of chemical burns.**

**Batteries can burst and leak.**

**Exchange all batteries in a set at the same time.**

**Replace batteries only with an identical or equivalent type.**

**Insert batteries with the correct polarity.**

- Unscrew wall transmitter from the base plate (see Connecting and mounting the device).

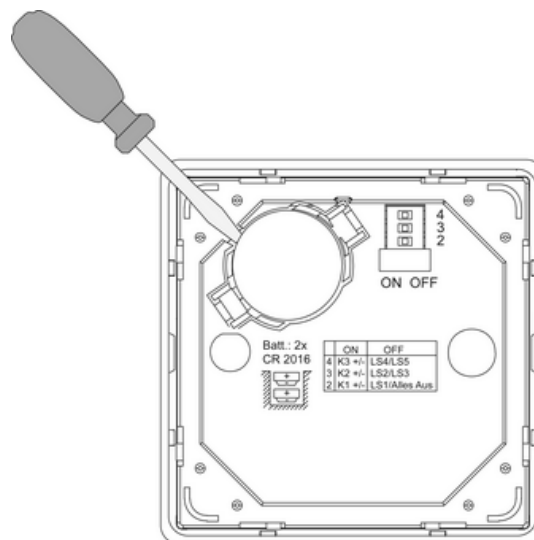


Figure 5: Remove battery

- Carefully remove empty batteries.

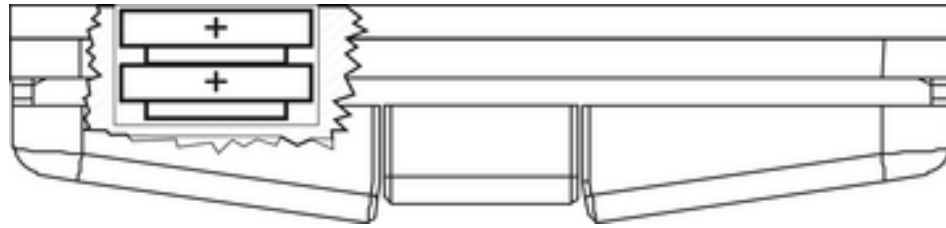


Figure 6: Insert batteries

- i** Keep contacts of batteries and device free of grease.
  - Insert new batteries in the battery compartment. Observe polarity: the positive pole of the batteries must be at the top (figure 6).
  - Mount wall transmitter on base plate.
  - Press any button for approx. 1 second.

## 5.2 Commissioning

### Setting functions

Wall transmitter is unscrewed from the base plate.

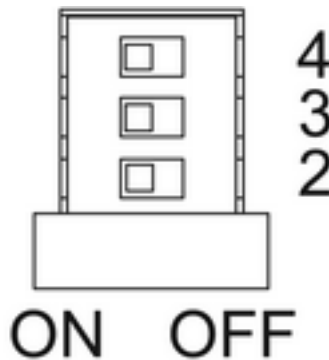


Figure 7: Function switch

- i** In the state as delivered all function switches are set to the **ON** position.
  - Select functions of the buttons with the function switches according to the following table .

| Function switch | Button                 | ON                       | OFF                            |
|-----------------|------------------------|--------------------------|--------------------------------|
| 2               | Button 1-<br>Button 1+ | Channel 1-<br>Channel 1+ | All off<br>Light scene 1       |
| 3               | Button 2-<br>Button 2+ | Channel 2-<br>Channel 2+ | Light scene 2<br>Light scene 3 |
| 4               | Button 3-<br>Button 3+ | Channel 3-<br>Channel 3+ | Light scene 4<br>Light scene 5 |

- i** The buttons **4+** and **4-** always correspond to the channels **4+** and **4-**.

### Teaching transmitter in radio receiver

In order for a receiver to understand a radio telegram from the transmitter, the receiver has to "learn" this radio telegram. A channel of the transmitter can be taught in any number of receivers. The teaching procedure only results in an assignment in the receiver.

When teaching a transmitter, the range of the receiver is reduced to about 5 m. The distance between the receiver and the transmitter being taught should therefore be between 0.5 m and 5 m.

The function switch for the channel being taught is set to **ON**.

- Switch radio receiver to programming mode (see instructions for receiver).
- Press the "+" or "-" button of the desired channel longer than 1 second.
- Exit programming mode of the receiver (see instructions for the receiver).  
The channel of the transmitter has now been taught in the radio receiver.

### Teaching a light scene button

The function switch for button being taught is set to **OFF**.

- Switch receiver to programming mode (see instructions for receiver).
- Press the light scene button for longer than 3 seconds.
- Exit programming mode of the receiver (see instructions for the receiver).  
Light scene button has been taught.

### Deleting All Off

If a certain receiver should not respond to the All Off button, then this function has to be deleted.

- Switch receiver to programming mode (see instructions for receiver).
- Press All Off button **1-** for longer than 10 seconds.  
Function has been deleted.
- Exit programming mode of the receiver (see instructions for the receiver).

## 6 Appendix



Remove empty batteries immediately and dispose of in an environmentally friendly manner. Do not throw batteries into household waste. Consult your local authorities about environmentally friendly disposal. According to statutory provisions, the end consumer is obligated to return used batteries.

### 6.1 Technical data

|                                  |                                      |
|----------------------------------|--------------------------------------|
| Rated voltage                    | DC 6 V                               |
| Battery type                     | 2×lithium CR 2016                    |
| Ambient temperature              | 0 ... +55 °C                         |
| Relative humidity                | max. 75 % (No moisture condensation) |
| Protection rating                | IP 20                                |
| carrier frequency                | 433.42 MHz (ASK)                     |
| Transmitting range in free field | typical 30 m                         |
| Transmitting power               | < 10 mW                              |

### 6.2 Troubleshooting

#### After a brief button-press the LEDs flash five times.

Cause: battery in the wall transmitter is almost empty.

Change battery (see section changing the battery).

#### Receiver does not respond, or only sometimes.

Cause 1: Radio range exceeded. Structural obstacles reduce the range.

Using a radio repeater.

Cause 2: function switches are in the wrong position.

Check positions of function switches.

## **6.3 Warranty**

We reserve the right to make technical and formal changes to the product in the interest of technical progress.

We provide a warranty as provided for by law.

Please send the unit postage-free with a description of the defect to our central customer service office:

### **ALBRECHT JUNG GMBH & CO. KG**

Service Center  
Kupferstr. 17-19  
D-44532 Lünen  
Service-Line: +49 (0) 23 55 . 80 65 51  
Telefax: +49 (0) 23 55 . 80 61 89  
mail.vka@jung.de

### **General equipment**

Service-Line: +49 (0) 23 55 . 80 65 55  
Telefax: +49 (0) 23 55 . 80 62 55  
mail.vkm@jung.de

### **KNX equipment**

Service-Line: +49 (0) 23 55 . 80 65 56  
Telefax: +49 (0) 23 55 . 80 62 55  
mail.vkm@jung.de

The € symbol is a free trade symbol, which is solely intended for the authorities and does not guarantee any properties.

### **ALBRECHT JUNG GMBH & CO. KG**

Volmestraße 1  
D-58579 Schalksmühle

Telefon: +49.23 55.8 06-0  
Telefax: +49.23 55.8 06-1 89  
E-mail: mail.info@jung.de  
Internet: www.jung.de  
www.jung-katalog.de