

DALI potentiometer insert
Art.-No.: 240 DPE

Operationsmanual

1 Safety instructions

Electrical equipment may only be installed and fitted by electrically skilled persons.

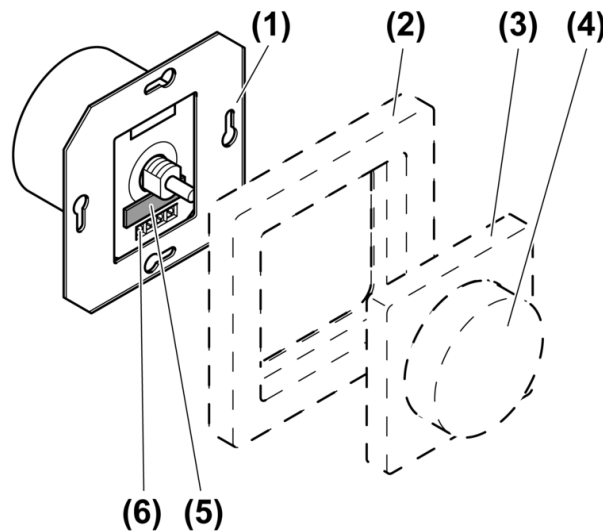
Danger of electric shock. Always disconnect before carrying out work on the device or load. At the same time, take into account all circuit breakers that supply dangerous voltage to the device or load.

Danger of electric shock. Device is not suitable for disconnection from supply voltage.

Failure to observe the instructions may cause damage to the device and result in fire and other hazards.

These instructions are an integral part of the product, and must remain with the end customer.

2 Device components



picture 1

- (1) DALI potentiometer
- (2) Frame
- (3) Central plate
- (4) Control knob
- (5) Fuse holder
- (6) Screw terminals

3 Function

Intended use

- Brightness setting for luminaires with DALI interface
- Installation in appliance box acc. to DIN 49073

Product characteristics

- Up to 64 DALI subscribers can be controlled
- Parallel control of multiple control sections
- Protection against connection to mains voltage by means of integrated fine-wire fuse

- Basic brightness adjustable
 - To generate the DALI voltage, a power supply is required that complies with the DALI specifications according to IEC 60929, e.g. from Helvar or Philips.
- i** To ensure fault-free operation, do not combine the device with other DALI controllers.

Behaviour after a mains voltage failure

After the return of mains voltage the switching state and the brightness of the last potentiometer switched are restored.

After brief power failures or in case of multiple-phase operation restoration can take up to 30 seconds. During this time period a value – PowerON-Level – stored in the DALI electrical ballast is called up.

- i** The brightness of the lighting for missing DALI telegrams – PowerON-Level – and in case of failure of the DALI system voltage – SystemFailure-Level – is stored in the electrical ballast and cannot be changed via the DALI rotary potentiometer.

4 Operation

- i** Operation can take place from multiple control sections and always applies to all the connected subscribers, broadcast. The lighting always takes on the value of the potentiometer just operated. Therefore there may be a jump in brightness at the beginning of operation.

Switch light

- Press the control knob.

Adjust the brightness

Light is switched on.

- Turn the control knob.

5 Information for qualified electricians

5.1 Installation and electrical connection



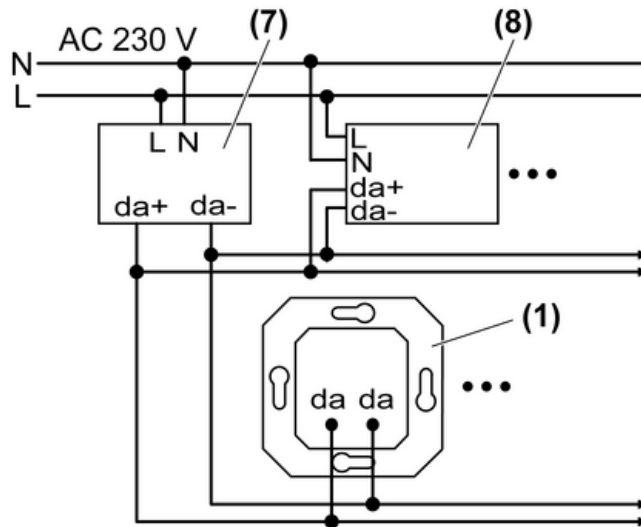
DANGER!

Electrical shock when live parts are touched.

Electrical shocks can be fatal.

Before carrying out work on the device or load, disengage all the corresponding circuit breakers. Cover up live parts in the working environment.

Connecting and mounting the device



picture 2

- (1) DALI potentiometer
- (7) DALI power supply
- (8) DALI subscriber e. g. DALI electrical ballast
- i** When selecting the DALI power supply, take into account the number of DALI subscribers and DALI potentiometers.
- i** Ensure that the control cable is of the appropriate type, cross-section and routing for the VDE specifications for 250 V cable, control voltage has basic insulation.
- i** Control cable and load cable may be routed in a common cable, e.g. NYM J 5 × 1.5.
- i** The connected DALI subscribers may be operated on different phases.
 - Connect the DALI potentiometer and DALI electrical ballast according to the connection diagram (picture 2). In so doing, observe the data of the electrical ballast manufacturer.
 - If multiple miniature circuit breakers supply dangerous voltages to the device or load, couple the miniature circuit breakers or label them with a warning, to ensure disconnection is guaranteed.

5.2 Commissioning

Saving the basic brightness

The basic brightness should be a state when turning the DALI potentiometer does not directly lead to an increase in brightness.

- Switch the lighting on minimum brightness.
- Turn the DALI potentiometer to the point that where the brightness begins to increase.
- Press the control knob for longer than 10 seconds.

The lighting switches briefly off and on again.

The basic brightness has now been saved, and will be adopted by the potentiometer the first time the actuating knob is turned.

- i** Any basic brightness can be saved from which it is possible to add brightness.

Deleting the basic brightness

- Switch the lighting off.
 - Press the control knob for longer than 10 seconds.
- Briefly switch the lighting to maximum brightness and then off again. The basic brightness has been deleted.

- i** DALI subscribers of different manufacturers may deviate from the acknowledgements given here.

6 Appendix

6.1 Technical data

Current consumption

max. 2 mA

Fine-wire fuse

F 250 H 250

Connection

Single stranded

max. 4 mm²

6.2 Warranty

We reserve the right to make technical and formal changes to the product in the interest of technical progress.

We provide a warranty as provided for by law.

Please send the unit postage-free with a description of the defect to our central customer service office:

ALBRECHT JUNG GMBH & CO. KG

Service Center

Kupferstr. 17-19

D-44532 Lünen

Service-Line: +49 (0) 23 55 . 80 65 51

Telefax: +49 (0) 23 55 . 80 61 89

mail.vka@jung.de

General equipment

Service-Line: +49 (0) 23 55 . 80 65 55

Telefax: +49 (0) 23 55 . 80 62 55

mail.vkm@jung.de

KNX equipment

Service-Line: +49 (0) 23 55 . 80 65 56

Telefax: +49 (0) 23 55 . 80 62 55

mail.vkm@jung.de

The € symbol is a free trade symbol, which is solely intended for the authorities and does not guarantee any properties.

ALBRECHT JUNG GMBH & CO. KG

Volmestraße 1

D-58579 Schalksmühle

Telefon: +49.23 55.8 06-0

Telefax: +49.23 55.8 06-1 89

E-mail: mail.info@jung.de

Internet: www.jung.de

www.jung-katalog.de