

Data Interface



1. Indications of Danger



Caution! The installation and assembly of electrical equipment may be carried out only by a skilled person.

2. General system information

This device is a product of the KNX/EIB-system and complies with KNX directives. Detailed technical knowledge obtained in KNX/EIBtraining courses is a prerequisite to proper understanding.

The functionality of this device depends on the software. Detailed information on loadable software and attainable functionality as well as on the software itself may be taken from the manufacturer's product database.

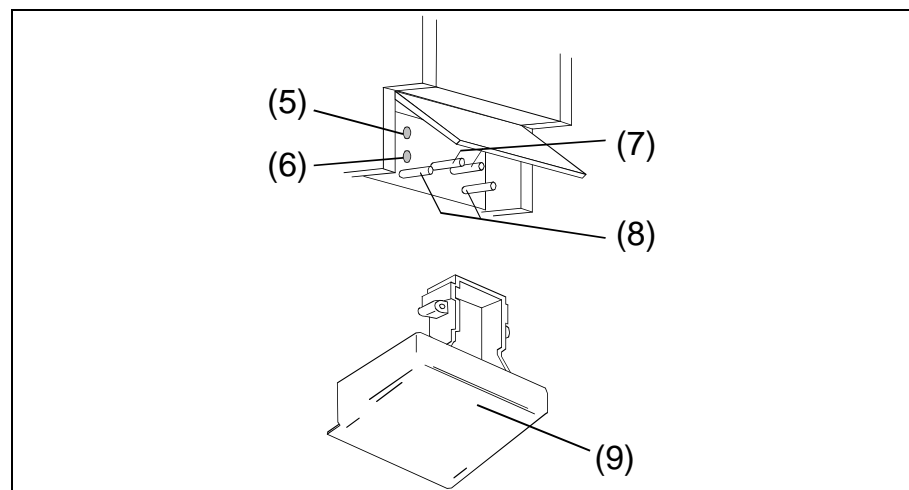
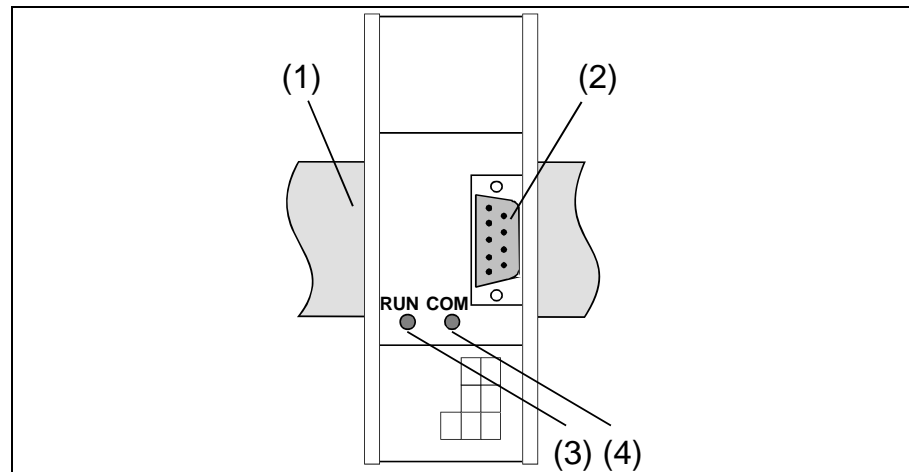
Planning, installation and commissioning of the unit are performed by means of KNX-certified software. For the productdatabase and technical descriptions please refer to the internet at www.jung.de offering up-to-date information.

3. Function

The data interface ensures the connection of a PC for addressing, programming and diagnosing KNX/EIB components.

4. Fitting

The data interface is snap-fastened on a DIN rail (1) and connected to the KNX/EIB with the EIB bus terminal (bus contact (7) behind the flap).



The bus line must leave the device at the bottom. Place cap (9) on guide pins (8) and slide over bus terminal to ensure the safe distance between bus lines and 230 V lines. The serial interface of the PC (RS 232) must be connected to the 9-pole Sub-D jack (2) by means of a data line (1:1). This data line must not exceed the length of 15 m. To assign the physical address, programming key (5) (behind the flap) must be actuated. The red LED (6) lights up and goes out when the physical address has been accepted.

Operation indicators

- (3) green: RUN ready for operation
- (4) yellow: COM data transfer via RS 232

5. Technical data

Supply	
KNX/EIB	:21...32 V DC
PC	:+5...+15 V SELV, ca. 10 :mA
Power drain EIB	:max. 150 mW
Transmission rate	:9600 Baud
Connection	
KNX/EIB	:KNX/EIB bus terminal
PC	:9 pole Sub-D jack
Mounting width	:36 mm (2 modules)
Ambient temperature	:-5 °C ... +45 °C
Storage temperature	:-25 °C ... + 70 °C
Type of protection	:IP 20

Technical specifications subject to change.

6. Acceptance of guarantee

We accept the guarantee in accordance with the corresponding legal provisions.

Please return the unit postage paid to our central service department giving a brief description of the fault:


ALBRECHT JUNG GMBH & CO. KG
Service-Center
Kupferstr. 17-19
D-44532 Lünen
Service-Line: +(49) 23 55 . 80 65 51
Telefax: +(49) 23 55 . 80 61 89
E-Mail: mail.vka@jung.de

General equipment

Service-Line: +(49) 23 55 . 80 65 55
Telefax: +(49) 23 55 . 80 62 55
E-Mail: mail.vkm@jung.de

KNX equipment

Service-Line: +(49) 23 55 . 80 65 56
Telefax: +(49) 23 55 . 80 62 55
E-Mail: mail.vkm@jung.de

 The CE-Sign is a free trade sign addressed exclusively to the authorities and does not include any warranty of any properties.