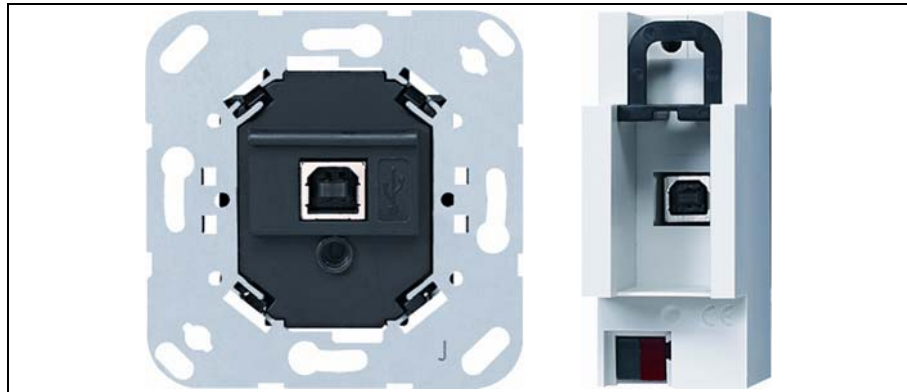


USB data interface REG (DIN-rail type) USB data interface Up (flush-type)



1. Safety warnings

Attention: Electrical equipment must be installed and fitted only by qualified electricians and in observance of the applicable accident prevention regulations. Any non-observance of the fitting instructions may cause fire or other hazards.

2. System information

This unit is a product of the KNX/EIB-System and corresponds to the KNX Guidelines. Detailed technical knowledge acquired in KNX/EIB training courses is a prerequisite for the understanding of the system. Planning, installation and commissioning of the device are effected with the help of KNX-certified software.

- ① The USB data interfaces UP and REG are supported from ETS3 version 1.0 onwards by PC operating systems Windows 98, 98 SE, ME, 2000 and XP

3. Function

The USB data interfaces UP and REG permit connection of a PC for addressing, programming and diagnosis of KNX/EIB components. Power is supplied completely from the USB interface of the connected PC. This means that the USB data interfaces are not existing for the KNX/EIB if the USB cable is not plugged in the PC socket. Both devices are exclusively programmed with the physical address locally via the connected PC and are therefore not equipped with a programming button and a programming LED

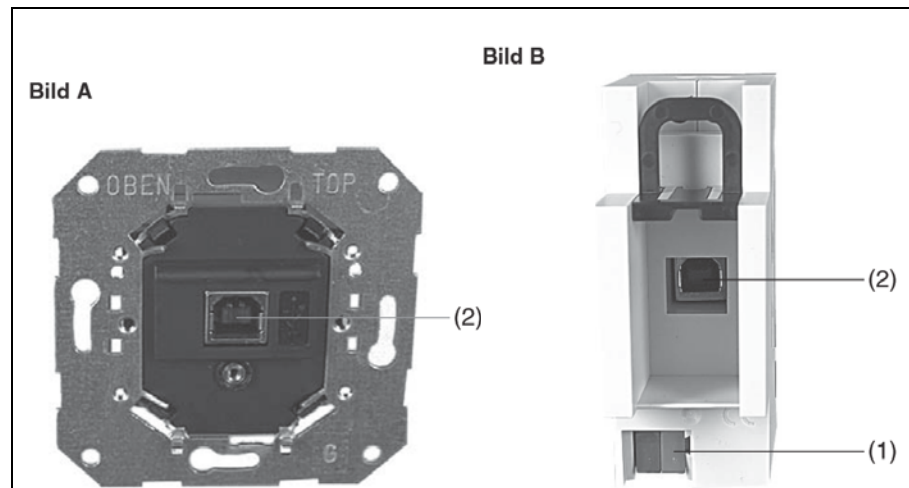
The firmware of the USB data interfaces can be updated from a PC and is thus suitable for future standards.

4. Fitting

UP design (flush-type): Installation in a 60 mm standard flush-mounting box. For correct fitting position observe the marking on the supporting ring. The device is installed with a cover in TAE design. In this case, all 3 openings in the TAE cover must be broken out. REG design (DIN-rail type): The device is snapped onto a DIN rail with the instabus connecting terminal at the bottom.

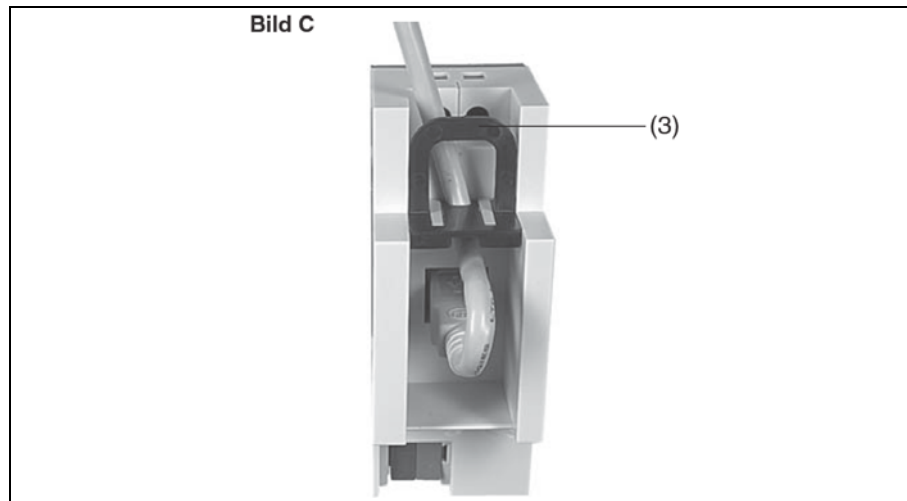
5. Connection (figs. A + B)

The device is connected to the KNX/EIB by means of the KNX/EIB connecting terminal. UP design, see reverse, REG design, see fig. B (1).



USB connection (2) is effected with a certified USB cable (1 x B-plug required) with a maximum length of 5 m.

- ① If the USB cable is to remain permanently connected to the REG device, the black slide (3) must be unlocked and withdrawn. Install the USB cable as shown in fig. C and re-insert the black slide. This measure ensures that the USB cable is fixed and that the maximum installation depth in the distribution is observed.



6. Technical Data

Power supply :	via PC USB port
Connection	
KNX/EIB :	KNX/EIB connecting terminal
USB port :	USB socket type B
Transmission protocol :	compatible with USB 1.1/2.0
Length of USB cable :	max.5 m
Ambient temperature :	-5 °C ... +45 °C
Storage temperature :	-25 °C ... +70 °C
Type of protection :	IP 20
Safety class :	II
Installation width for REG design :	36 mm (2 modules)

Technical specifications subject to change.

7. Acceptance of guarantee

Our products are under guarantee within the scope of the statutory provisions.

Please return the unit postage paid to our central service department giving a brief description of the fault:


ALBRECHT JUNG GMBH & CO. KG
Service-Center
Kupferstr. 17-19
D-44532 Lünen
Service-Line: +(49) 23 55 . 80 65 51
Telefax: +(49) 23 55 . 80 61 89
E-Mail: mail.vka@jung.de

General equipment

Service-Line: +(49) 23 55 . 80 65 55
Telefax: +(49) 23 55 . 80 62 55
E-Mail: mail.vkm@jung.de

KNX equipment

Service-Line: +(49) 23 55 . 80 65 56
Telefax: +(49) 23 55 . 80 62 55
E-Mail: mail.vkm@jung.de

 The CE-Sign is a free trade sign addressed exclusively to the authorities and does not include any warranty of any properties.