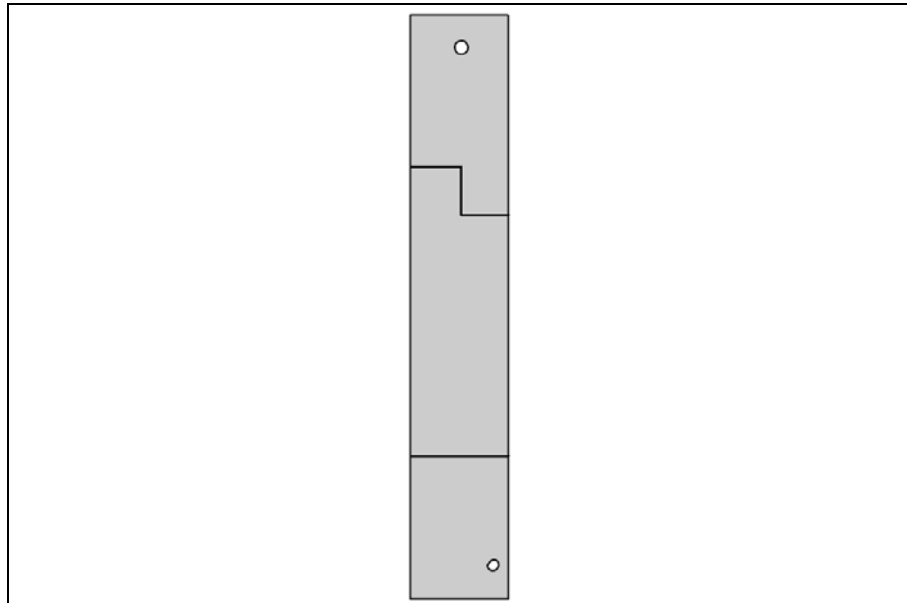


Operating instructions Brightness Sensor



1. System information

This device is a product of the *instabus* EIB-system and complies with EIBA directives. Detailed technical knowledge obtained in *instabus*-training courses is a prerequisite for proper understanding.

Functionality of this device is depending on the software. Detailed information on loadable software and attainable functionality may be taken from the manufacturer's product database.

Planning, installation and commissioning of the unit is done by means of EIBA certified software.



2. Indications of danger

Caution ! The installation and assembly of electrical equipment may be carried out only by a skilled person.

3. Function

The brightness sensor detects the value of brightness via the receiver ① (see fig. B) and analyzes and transmits a telegram to the *instabus*.

4. Connection

The decoder ② was build as an installation device and is being recessed into a false ceiling or another hollow body.

It may be installed with 2 screws 4 mm Ø.

For opening the terminal connection box move the locking towards direction of arrow ③ (fig. A) and open cover ④.

For closing terminal connection box shut cover until locking snaps in.

Connect the wires of the receiver line to the decoder as follows:

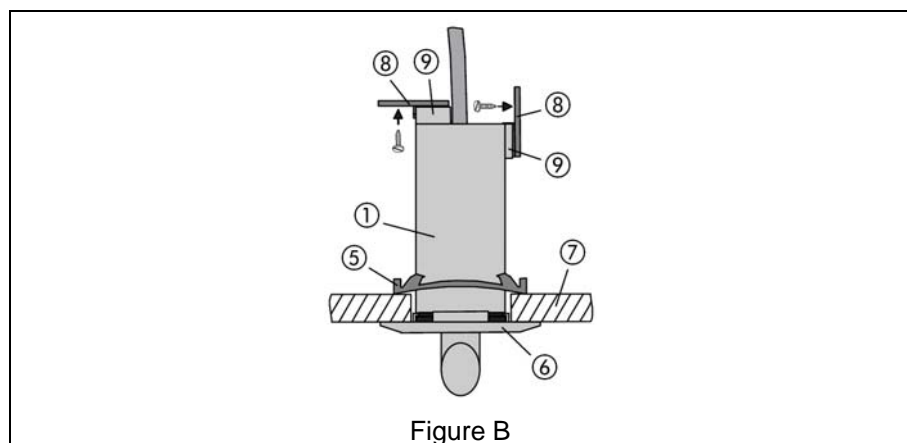
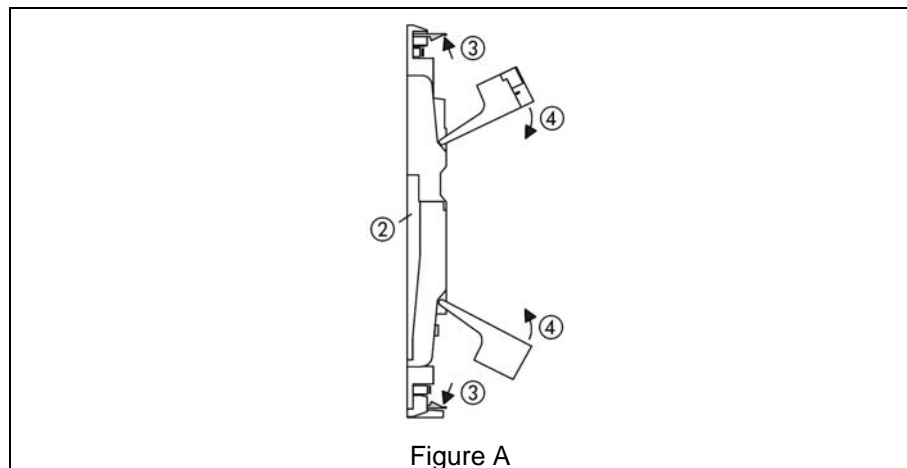
Terminal S : white wire

Terminal - : blue wire

Terminal + : red wire

The receiver is being recessed by means of a terminal spring ⑤ and an aperture ⑥ into the false ceiling ⑦ (fig. B). Plug the aperture to the front of the receiver and slide the terminal spring onto the receiver from the back.

To attach the receiver plug the fastening element ⑧ into one of the tracks ⑨ provided.



5. Important

Preferably via the area to be detected, if possible avoid installation to direct light irradiation.

Do not expose rear of receiver directly to irradiation of light as malfunction may occur caused by light entering at the cable inlet.

Subject to change without notice.

6. Technical Data

Supply	
<i>instabus</i> EIB :	21 – 32 V DC
Power input capacity :	approx. 120 mW
Connection	
<i>instabus</i> :	Connecting terminal and branch joint
Receiver line :	Screw terminals Terminal S : white wire Terminal – : blue wire Terminal + : red wire
Length of receiver line :	approx. 2 m, may not be lengthened !
Aperture © :	Ø 47 mm
Installation of receiver bore :	Ø 37 mm
or rectangular opening :	□ 30 x 30 mm
thickness of false ceiling :	max. 45 mm
Ambient temperature :	-5 °C until +45 °C
Storing temperature :	-40 °C until +55 °C
Type of protection :	IP 20

7. Acceptance of guarantee

We accept the guarantee in accordance with the corresponding legal provisions.

Please return the unit postage paid to our central service department giving a brief description of the fault.

ALBRECHT JUNG GMBH & CO. KG

Service-Center

Kupferstr. 17-19

D-44532 Lünen

Service-Line: +49 (0) 23 55 . 80 65 51

Telefax: +49 (0) 23 55 . 80 61 89

E-Mail: mail.vki@jung.de

General equipment

Service-Line: +49 (0) 23 55 . 80 65 55

Telefax: +49 (0) 23 55 . 80 62 55


E-Mail: mail.vkm@jung.de

Instabus EIB equipment

Service-Line: +49 (0) 23 55 . 80 65 56

Telefax: +49 (0) 23 55 . 80 62 55

E-Mail: mail.vkm@jung.de

 The CE-Sign is a free trade sign addressed exclusively to the authorities and does not include any warranty of any properties.