

Operating Instructions Touch sensor module Standard 1-channel, 2-channel, 3-channel, 4-channel



1. Safety warnings



Attention: Electrical equipment must be installed and fitted by qualified electricians only.

Failure to observe any of the installation instructions may cause damage to the device and result in fire or other hazards.

2. System Information

This device is a product of the KNX/EIB system and complies with KNX directives.

Detailed technical knowledge obtained in KNX/EIB training courses is a prerequisite to proper understanding. The functionality of this device depends on the software.

Detailed information on loadable software and attainable functionality as well as the software itself can be obtained from the manufacturer's product database.

Planning, installation and commissioning of the unit is effected by means of KNX-certified software.

An updated version of the product database and the technical descriptions are available in the Internet at www.jung.de.

3. Function

A touch sensor rocker is „divided“ into an upper and a lower half (FIG A) each controlling a function such as switching, dimming, shutter, value transmitter, recalling and storing of light-scenes. Each rocker is equipped with a red status LED. A blue operation LED can serve as an orientation light.

Function assignment:

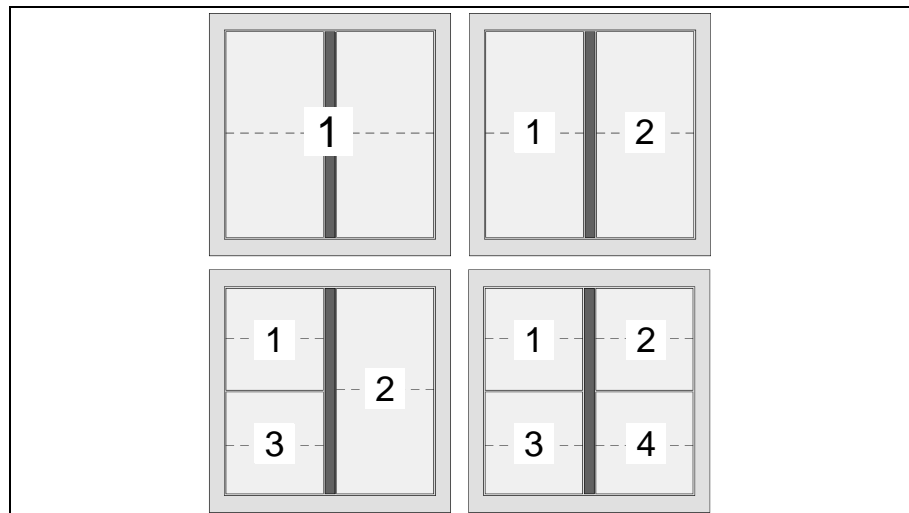
upper half of rocker: On / Brighter / Up

upper half of rocker: Off / Darker / Down

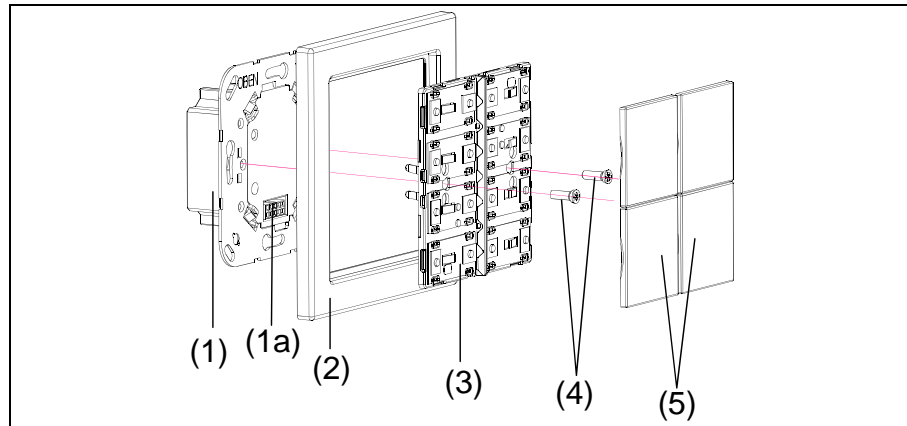
Together with the wall-mounted radio-control transmitter, Art. no. 40 FW, the device can also be used within the JUNG-Funk-Management system. More details are set out in the technical documentation of the wallmounted radio-control transmitter.

The device must be equipped with the corresponding touch sensor module covers (must be ordered separately):

1 channel	2071 TSM	1 x FD..901 TSA..
2 channel	2072 TSM	2 x FD..902 TSA..
3 channel	2073 TSM	1 x FD..902 TSA.. und 2 x FD..904 TSA..
4 channel	2074 TSM	4 x FD..904 TSA..



4. Installation

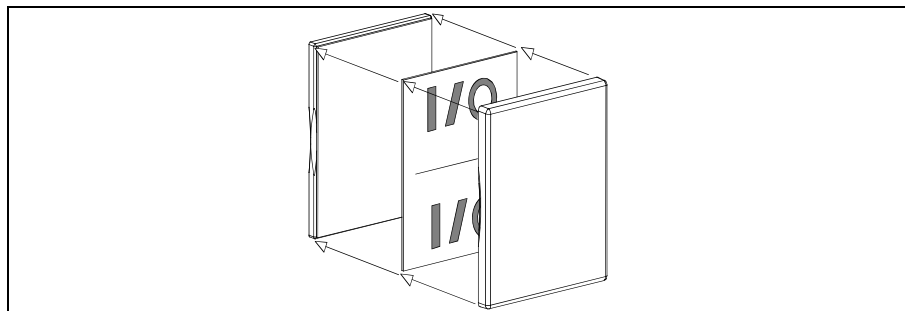


- Connect the KNX/EIB bus coupler (1) to the KNX/ EIB bus and install it in a flush-mounting box. If possible, program the physical address beforehand into the coupler. (Within the JUNG Funk-Management system: wall-mounted radio-control transmitter)
- Plug the touch sensor module (3) together with the decorative frame (2) on the KNX/EIB bus coupler so that both devices are connected via the user interface connector (1a).
- Fasten the touch sensor module with the plastic screws supplied (4) to the KNX/EIB bus coupler. The screws are intended as a protection against removal or theft. Tighten the plastic screws only lightly (!). (Not possible with wall-mounted radiocontrol transmitter.)

IMPORTANT: Use only the plastic screws supplied with the device for fastening! Metal screws are not permitted. The device may also be irreparably damaged by electrostatic discharges! -

- Fit the covers (5): Place the covers one by one on the touch sensor module. The arrangement of the covers is shown in FIG A. Make sure the cover fits properly (observe the marking TOP on the inside) and snap it onto the device by a brief press.

4.1. Label covers



The covers with Art. no. FD..90x TSA NA.. can be equipped with labels. Commercial-grade transparencies can be inscribed with the help of the JUNG labelling software and inserted as labels into the covers.

The JUNG labelling software is available in the Internet under the following address:
www.jung-beschriftungsservice.de. Fit the label covers as shown in FIG C.

5. Technical data

Supply:	21 – 32 V DC via flush-mounted BCU
Connection:	2 x 5-polig user interface connector
Power consumption:	max. 150 mW plugged into standard BCU
Type of protection:	IP 20
Safety class:	III
Ambient temperature:	-5 °C ... +45 °C
Storage/transport temp.:	-25 °C ... +70 °C

Technical specifications subject to change.

6. Guarantee

Our products are under guarantee within the scope of the statutory provisions.

Please return the unit postage paid to our central service department giving a brief description of the fault:


ALBRECHT JUNG GMBH & CO. KG
Service-Center
Kupferstr. 17-19
D-44532 Lünen
Service-Line: +(49) 23 55 . 80 65 51
Telefax: +(49) 23 55 . 80 61 65
E-Mail: mail.vka@jung.de

General equipment

Service-Line: +(49) 23 55 . 80 65 55
Telefax: +(49) 23 55 . 80 62 55
E-Mail: mail.vkm@jung.de

KNX equipment

Service-Line: +(49) 23 55 . 80 65 56
Telefax: +(49) 23 55 . 80 62 55
E-Mail: mail.vkm@jung.de

 The CE-Sign is a free trade sign addressed exclusively to the authorities and does not include any warranty of any properties.