

Operating Instructions Info-Display



1. General system information

This device is a product of the KNX system and complies with KNX directives. Detailed technical knowledge obtained in KNX training courses is a prerequisite to proper understanding. The functionality of this device depends on the software. Detailed information on loadable software and attainable functionality as well as the software itself can be obtained from the manufacturer's product database. Planning, installation and commissioning of the unit is effected by means of KNX-certified software. The full functionality with KNX commissioning software from version ETS3.0d. onwards. The product database, technical descriptions and conversion programs and other utilities are available in the Internet at www.jung.de

2. Function

The Info-Display transmits and receives telegrams via the KNX/EIB and can be used to display (on an LCD display) freely programmable texts and parameters.

For programming, up to 12 pages with 1, 2 or 4 lines are available.

Each line can be made to represent a function (switching, dimming, displaying of parameters, etc.).

A additional warning page permits handling of up to 12 alarm messages. An alarm message can be combined with an acoustic and or optical warning.

Programming of the device requires the ETS 2 software, version 1.2 and higher.

3. Safety instructions

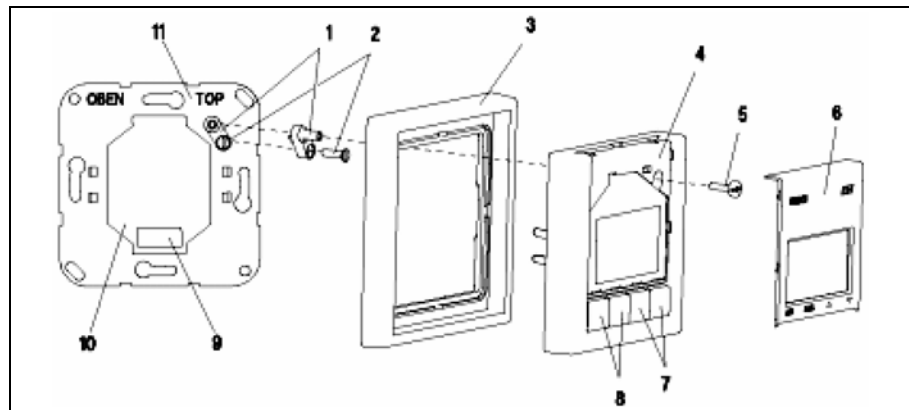


Attention: Electrical equipment must be installed and fitted by qualified electricians only.

Non-observance of the installation instructions may damage the device and cause fire or other hazards.

4. Fitting instructions

1. Screw plastic adaptor (1) with screw (2) to supporting ring (11)
 2. Plug Info-Display (4) together with frame (3) onto bus coupler flush-mounting insert (10)
 3. Fasten the Info-Display with retaining screw (5)
 4. Put on screw cover (6)
- The electrical contact is ensured by the user interface (9).



5. Use

The two keys on the right (7) are used for scrolling up and down through the messages.

The two keys on the left (8) are assigned to the display line respectively selected. After corresponding programming, a depression of these keys transmits telegrams over the KNX/EIB.

Technical specifications subject to change.

6. Technische Daten

Supply	
KNX/EIB	24 V DC (+6/-4 V) via flush-mounting bus coupler
Connection	
KNX/EIB	2-pole connector via coupler
User interface	plugged onto coupler
Display	LCD backlit 4 lines (16 characters) or 2 lines (8 characters) or 1 lines (4 characters)
Controls	4 keys
Text memory	max. 12 pages of 4 lines each and 16 characters per line
Acoustic signaling	2 tones (approx. 512 / 2048 HZ) resettable
Ambient temperature	0 °C to +45 °C
Protection grade	IP 20

7. Guarantee

Our products are under guarantee within the scope of the statutory provisions.

Please return the unit postage paid to our central service department giving a brief description of the fault:

ALBRECHT JUNG GMBH & CO. KG

Service-Center

Kupferstr. 17-19

D-44532 Lünen

Service-Line: +(49) 23 55 . 80 65 51

Telefax: +(49) 23 55 . 80 61 65

E-Mail: mail.vka@jung.de

General equipment

Service-Line: +(49) 23 55 . 80 65 55

Telefax: +(49) 23 55 . 80 62 55


E-Mail: mail.vkm@jung.de

KNX equipment

Service-Line: +(49) 23 55 . 80 65 56

Telefax: +(49) 23 55 . 80 62 55

E-Mail: mail.vkm@jung.de

 The CE-Sign is a free trade sign addressed exclusively to the authorities and does not include any warranty of any properties.