

Satellite insert 2-wire  
Art. No. : 1720 NE

## Operating instructions

### 1 Safety instructions



Electrical devices may only be mounted and connected by electrically skilled persons.

**Serious injuries, fire or property damage possible. Please read and follow manual fully.**

**Danger of electric shock. Always disconnect before carrying out work on the device or load. In so doing, take all the circuit breakers into account, which support dangerous voltages to the device and or load.**

**These instructions are an integral part of the product, and must remain with the end customer.**

### 2 Function

#### Intended use

- Extension unit operation of suitable inserts from LB management
- Operation with standard control button
- Mounting in appliance box according to DIN 49073

### 3 Operation

The function of the extension depends on the insert and cover of the main device.

## 4 Information for electrically skilled persons

### Connecting and mounting the devices

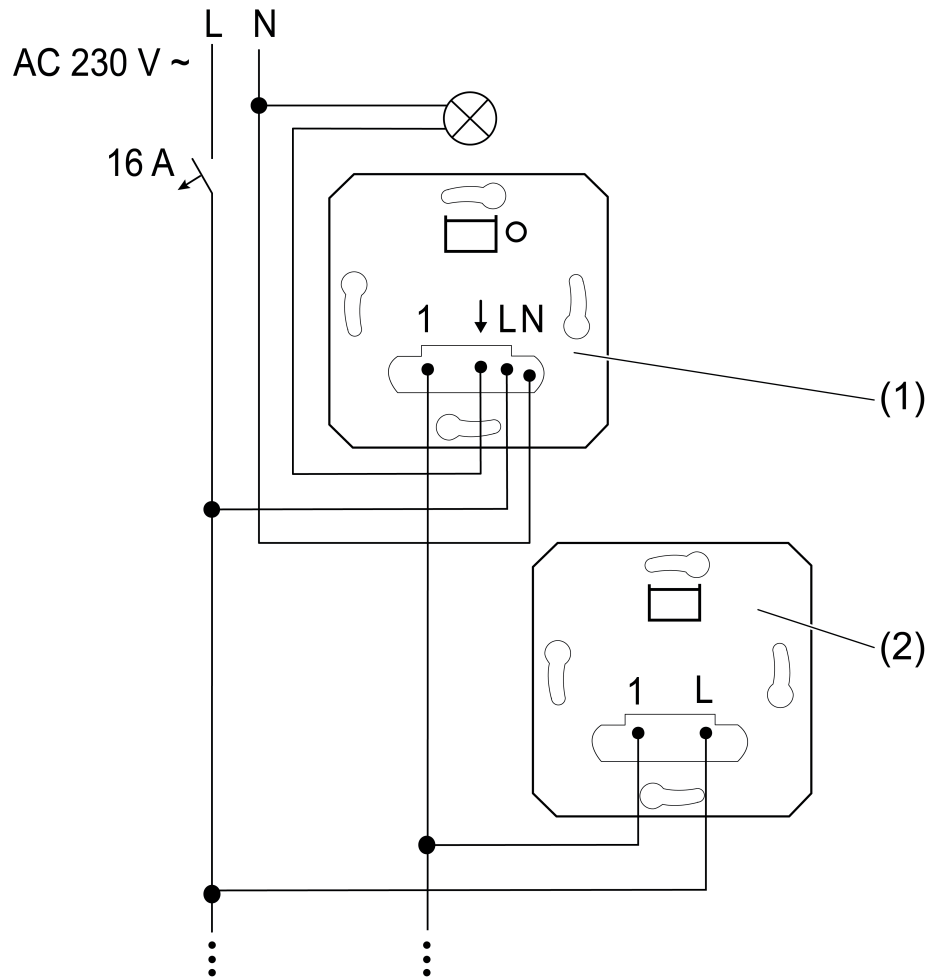


Figure 1: Connection diagram 2-wire extensions

- Connect extension (2) according to connection diagram (figure 1). Note clampable cable cross-sections (figure 2).

**i** Any number of 2-wire extensions (2) can be connected to a main device (1) (figure 1).

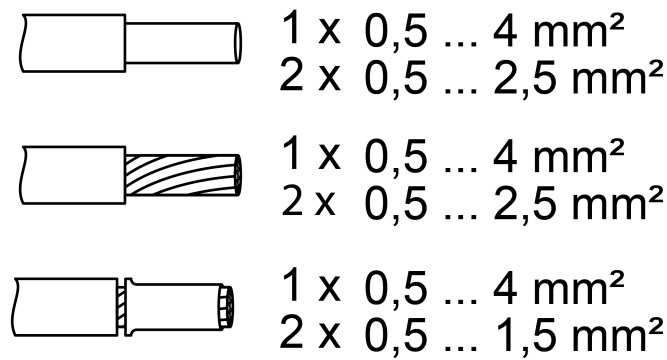


Figure 2: Clampable cable cross-sections

- Install insert in appliance box, device connection terminals must be at the bottom.
- i** Do not attach or replace the cover under voltage, otherwise this might cause a malfunction.
- Attach the frame and the cover.
- Switch on mains voltage.

## 5 Appendix

### 5.1 Technical data

Rated voltage	AC 230 V ~
Mains frequency	50 / 60 Hz
Ambient temperature	-20 ... +45 °C
Storage/transport temperature	-20 ... +70 °C
Total length of extension unit cable	max. 100 m

### 5.2 Troubleshooting

#### Operation via extension does not function properly

Cause: power and extension unit cables are routed in a shared cable. Interferences of the power cable in the extension unit cable can lead to errors in the telegram transmission.

Route power and extension unit cables in separate cables.

Decrease current load on the power cable.

### 5.3 Accessories

Standard centre plate Art. No. ..1700..

### 5.4 Warranty

The warranty follows about the specialty store in between the legal framework as provided for by law.

#### ALBRECHT JUNG GMBH & CO. KG

Volmestraße 1  
58579 Schalksmühle  
GERMANY

Telefon: +49 2355 806-0  
Telefax: +49 2355 806-204  
kundencenter@jung.de  
www.jung.de