

TRONIC switch insert "silent switching"
Art.-No.: 1254 TSE

Operating instructions

1 Safety instructions

Electrical equipment may only be installed and fitted by electrically skilled persons.

Serious injuries, fire or property damage possible. Please read and follow manual fully.

Danger of electric shock. Always disconnect before carrying out work on the device or load. At the same time, take into account all circuit breakers that supply dangerous voltage to the device or load.

Danger of electric shock. Device is not suitable for disconnection from supply voltage. The load is not electrically isolated from the mains even when the device is switched off.

These instructions are an integral part of the product, and must remain with the end customer.

2 Device components

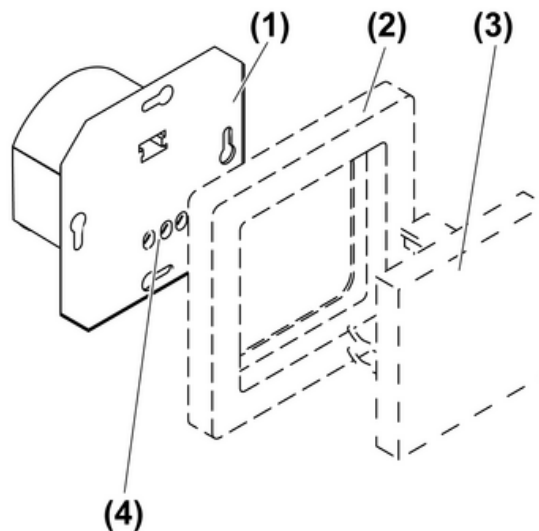


Figure 1: Device components

- (1) Up insert
- (2) Frame
- (3) Cover
- (4) Terminals

3 Function

Intended use

- Switching incandescent lamps, HV halogen lamps and Tronic- Transformers with halogen lamps
- Suitable for mixed load up to the specified output (see chapter 6.1. Technical data)
- Operation with suitable cover
- Installation in appliance box to DIN 49073

i No operation with inductive transformers.

Product characteristics

- Device works according to the phase cut-off principle

- Bulb-preserving soft start
- Connection of extensions possible
- Power failures of more than 1 second will cause the device to switch off
- Electronic short-circuit protection with permanent switch-off after 7 seconds at the latest
- Electronic over-temperature protection

i Flickering of the connected lamps due to undershoot of the specified minimum load or through centralised pulses from the power stations. This does not represent any defect in the device.

4 Operation

Switch light

These instructions describe operation with a pushbutton cover. Operation with a different cover is described in the instructions for the cover in question. Operation on the main device or extension is identical.

i Extension operation is only possible if there is a cover fitted on the main device.

- Press the button.
The light switches on or off.

5 Information for electrically skilled persons

5.1 Fitting and electrical connection



DANGER!

Electrical shock when live parts are touched.

Electrical shocks can be fatal.

Before carrying out work on the device or load, disengage all the corresponding circuit breakers. Cover up live parts in the working environment.

Fitting and electrical connection

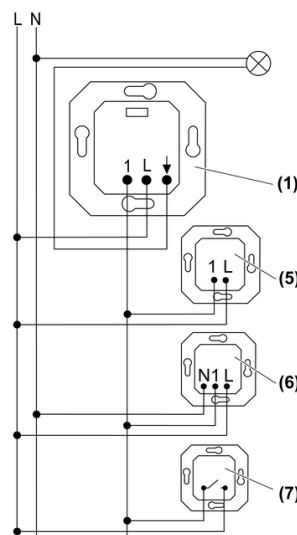


Figure 2: Connection diagram with optional extensions

- (1) Up insert
- (5) Extension insert, 2-wire
- (6) Extension insert, 3-wire
- (7) Installation button, NO contact

- Connect UP insert according to connection diagram (figure 2).
- i** For extension units use the electric circuit of the main device.
- i** Illuminated installation buttons may only be connected if they have a separate N terminal.
- Connect the extensions, optional.
- Install insert in appliance box, terminals must be at the bottom.
- i** Do not attach or replace the cover under voltage, otherwise this might cause a malfunction.
- Attach the frame (2) and the top (3).
- Switch on mains voltage.

6 Appendix

6.1 Technical data

Rated voltage	AC 230 V ~
Mains frequency	50 / 60 Hz
Standby power	approx. 0.6 W
Power loss	approx. 3.2 W
Ambient temperature	-20 ... +45 °C
Contact type	ε
Connected load	
i Power specifications including transformer power dissipation.	
Incandescent lamps	50 ... 420 W
HV halogen lamps	50 ... 420 W
Tronic transformers	50 ... 420 W
Power reduction	
per 5°C in excess of 25°C	-6.5 %
when installed in wooden or dry construction walls	-15 %
when installed in multiple combinations	-20 %
Connection	
Single stranded	max. 4 mm ²
finely stranded without conductor sleeve	max. 4 mm ²
finely stranded with conductor sleeve	max. 2.5 mm ²
Number of extension units	
Extension insert, 2-wire	unlimited
Extension insert, 3-wire	10
Non-illuminated installation buttons	unlimited
Total length of control cable	max. 100 m
Total length power cable	max. 100 m

6.2 Troubleshooting

The device switches the load off and cannot be switched on again.

Cause 1: short-circuit protection has tripped.

Eliminate short-circuit.

- i** Short-circuit protection is not based on a conventional fuse, no metallic separation of the operational current.

Cause 2: overheating protection has tripped.

Disconnect device from mains, also switch associated off circuit breakers.

Let device cool down for at least 15 minutes.

Reduce the connected load.

Check the installation situation.

Switch circuit breakers and device on again.

6.3 Warranty

We reserve the right to make technical and formal changes to the product in the interest of technical progress.

We provide a warranty as provided for by law.

Please send the unit postage-free with a description of the defect to our central customer service office.

ALBRECHT JUNG GMBH & CO. KG

Volmestraße 1
58579 Schalksmühle

Telefon: +49.23 55.8 06-0
Telefax: +49.23 55.8 06-2 04
kundencenter@jung.de
www.jung.de

Service Center

Kupferstr. 17-19
44532 Lünen
Germany