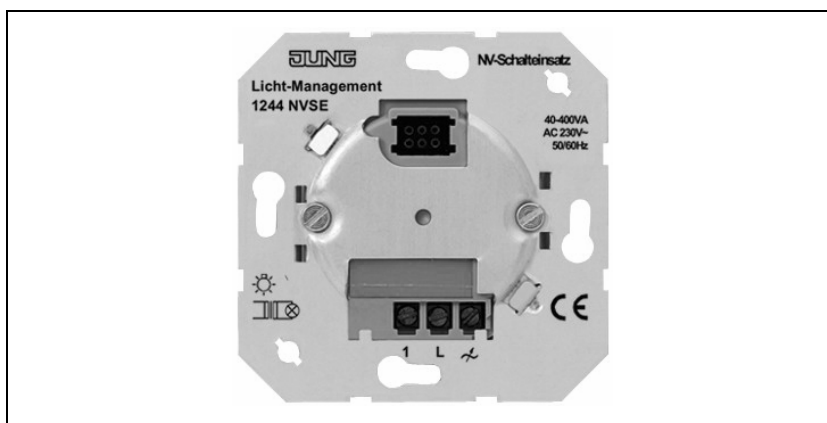


Operating Instructions

LV triac switching insert



1. Function

The LV triac switching insert is an electronic switch for the switching of:

- 230 V incandescent lamps
- 230 V halogen lamps
- LV halogen lamps with conventional transformer



Important: Conventional transformers must be used with a lamp load of at least 85 %. The overall load rating (transformer losses included) must not exceed 400 W/VA.

The device is operated with the corresponding attachment (e.g. short-stroke key), or from an extension unit (toggle mode) or triggered by the automatic switch attachment or presence detector attachment. Switching commands from radio-control transmitters can be used for switching on and off. The lamp is switched on in the lamp-saving soft-start mode. The functions available with the various attachments or radio-control units are described in greater detail in the corresponding operating instructions.

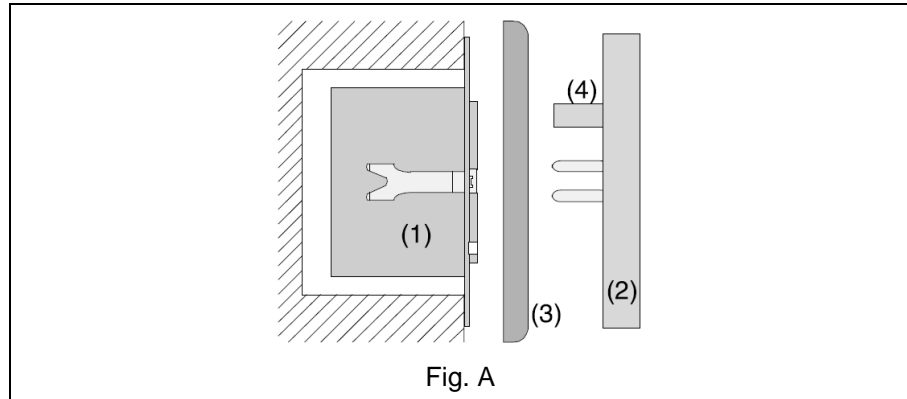
2. Safety instructions



Attention: Electrical equipment must be installed and fitted by qualified electricians only. Not suitable for safety disconnection. Switching off the device does not isolate the load electrically from the mains. To prevent electric shocks, always shut off the mains supply before working on the LV triac switching insert or before replacing the lamp. When conventional transformers are used, each of these transformers must be fuse-protected on the primary side in accordance with the manufacturer's instructions. Use only safety transformers as per EN 61558-2-6. Failure to observe any of the installation instructions may result in fire or other hazards. Do not connect any electronic lamps, e.g. switchable or dimmable compact fluorescent lamps or LED lamps. Device can be damaged.

3. Fitting instructions

Install the LV triac switching insert (1) in a flushmounting box in acc. with DIN 49073 (fig A).



The connecting terminals of the insert must be at the bottom (wall mounting). Use the LV triac switching insert only in combination with an attachment. Plug the attachment (2) together with frame (3) into the insert. The electrical contact is ensured by connector (4).

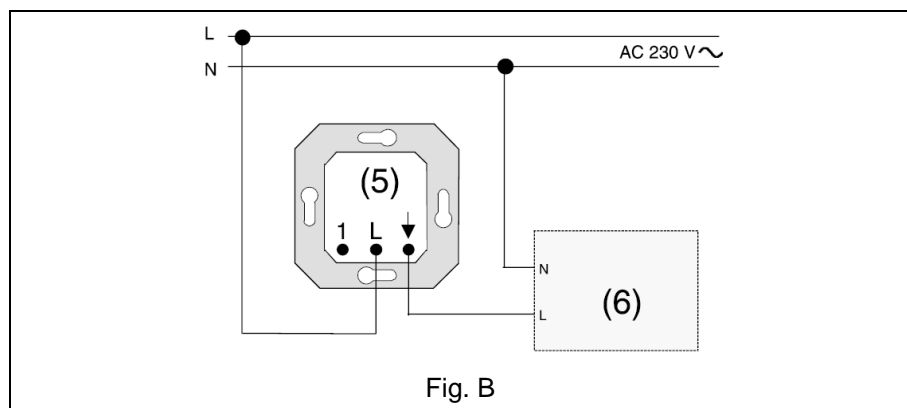
4. Short-circuit protection

Fine-wire fuse T 1,6H 250 V.

Use only original fuses.

5. Connection

The insert is connected as shown in fig B.



LV triac switching insert (5), load (6)

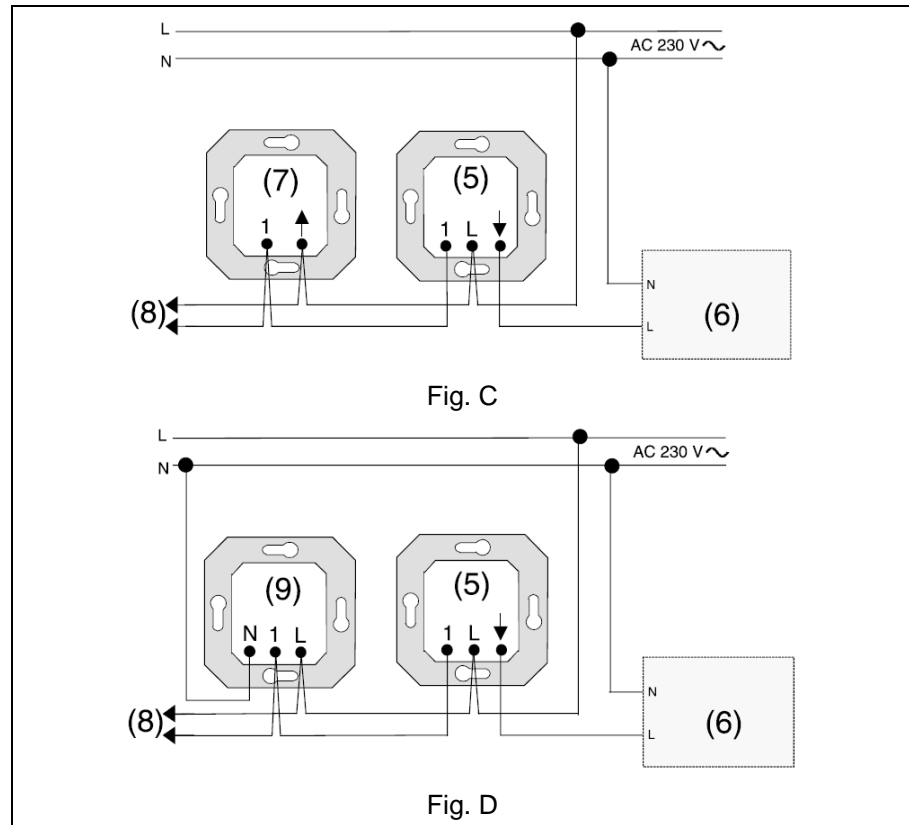
Important:



Observe maximum power rating and load specifications set out in the Technical Data section. Observe the technical connection requirements of the power supply companies.

6. Use of extension units

For switching from several places with the extension unit insert, see fig. C. See fig. D when using the „3- wire“ extension insert.



LV triac switching insert (5)

„2-wire“ extension unit (7) (art.-no. 1220 NE)

„3-wire“ extension unit insert (9) (art.-no. 1223 NE)

to further extension units (8)

load (6)

„2-wire“ extension insert:

with short-stroke key (art.-no ...1561.07..) same functions as available on LV triac switching insert

Mechanical pushbutton (make contact):

ON / OFF (toggle mode)

Illuminated mechanical pushbuttons must have a separate N terminal.

„3-wire“ extension insert:

used in conjunction with automatic switch attachment (art. no. ..1180-1.., ..1280-1..) or presence detector (PMU360WW).

Functions available only if an automatic switch or presence detector attachment is used also on the main unit.

7. Technical data

Power supply :	AC 230 V, 50 / 60 Hz
Operating temperature :	-20 °C ... +45 °C
Fuse :	T 1.6H 250V
Power rating :	40 - 400 W/VA
	- 230 V incandescent
	- 230 V halogen lamps
	- conventional transformers

Depending on the type of installation, the max. load connected must be reduced:

- 15 % for installations in wooden, gypsum plaster board or hollow walls,
- 20 % for installations in multi-device combinations.

Number of extensions

„2-wire“ extension insert,	
conventional pushbutton:	unlimited
Illuminated mechanical pushbuttons must have a separate N terminal.	
„3-wire“ extension insert:	10
Different types of extension units can be combined	
Length of cable:	100 m max

8. Guarantee

Our products are under guarantee within the scope of the statutory provisions.

Please return the unit postage paid to our central service department giving a brief description of the fault:


ALBRECHT JUNG GMBH & CO. KG
Service-Center
Kupferstr. 17-19
D-44532 Lünen
Service-Line: +(49) 23 55 . 80 65 51
Telefax: +(49) 23 55 . 80 61 65
E-Mail: mail.vka@jung.de

General equipment

Service-Line: +(49) 23 55 . 80 65 55
Telefax: +(49) 23 55 . 80 62 55
E-Mail: mail.vkm@jung.de

KNX equipment

Service-Line: +(49) 23 55 . 80 65 56
Telefax: +(49) 23 55 . 80 62 55
E-Mail: mail.vkm@jung.de

 The CE-Sign is a free trade sign addressed exclusively to the authorities and does not include any warranty of any properties.