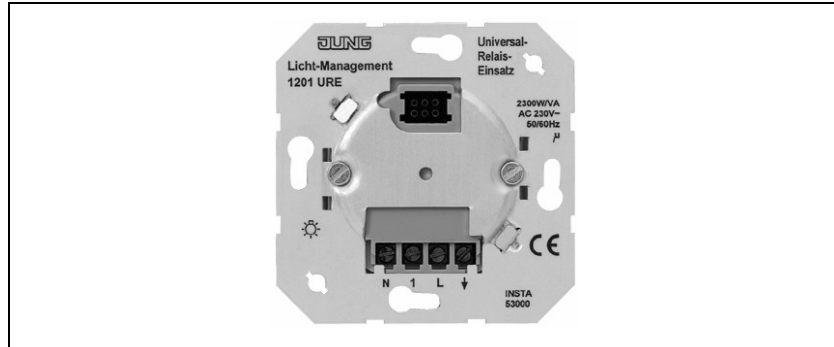


## Operating Instructions Relay insert



### 1. Function

Relay insert for switching extensive light sources and electrical consumers up to a maximum of 10 A/230 V:

- 230 V incandescent lamps.
- 230 V halogen lamps.
- Halogen LV lamps in conjunction with conventional transformers.
- Halogen LV lamps in conjunction with Tronic transformers.
- Fluorescent lamps.

Switching commands are given by actuating the covers of the relay insert, the extension or of the radio transmitter. This Operating Instructions leaflet describes the functionality in combination with the manual short-stroke key. For the exact functionality when other attachments or the remote control facility, respectively, are used, please refer to the corresponding Operating Instructions.

TOP, BOTTOM control surface, full control surface: Switching on, switching off (toggling).

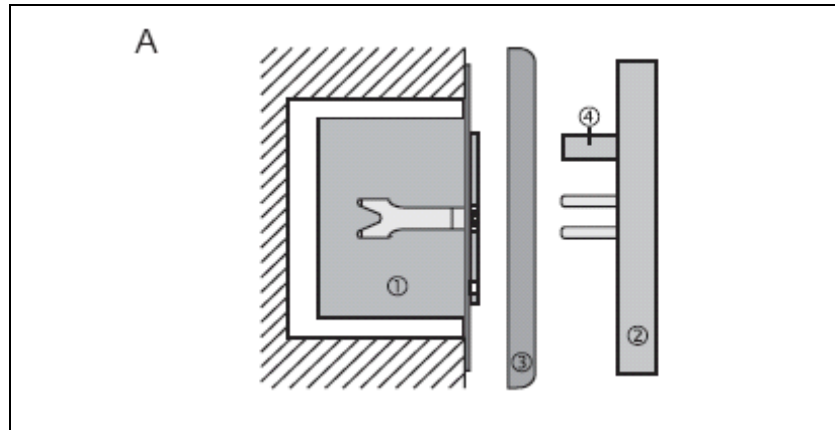
### 2. Warning



**Caution: The installation and assembly of electrical equipment may only be performed by a skilled electrician. Not suitable for disconnecting. For operation with conventional transformers, protect the primary side of each transformer by a fuse, according to the manufacturer's information. Do not use any devices other than safety transformers as per DIN VDE 0551. Non-observance of the installation instructions may cause fire or other hazards.**

### 3. Installation Instructions

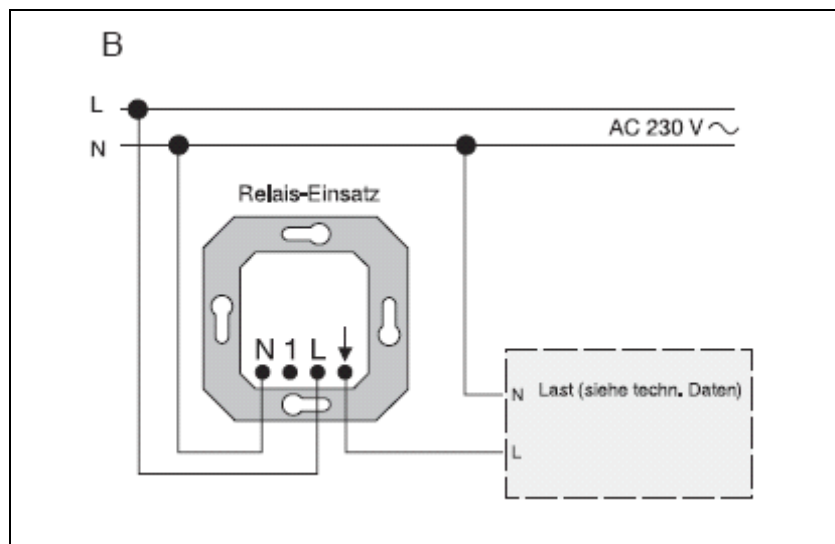
Install relay insert (1) in a box as per DIN 49073 (Figure A).



The connecting terminals of the insert must be down. Do not use the relay insert when not in combination with a cover. Plug cover (2) onto the insert together with frame (3). Electrical contacting is established through plug (4). Plug on the cover prior to switching on the mains voltage. Mains failures of more than 1 sec. will lead to switching off the relay insert.

### 4. Short-Circuit Protection

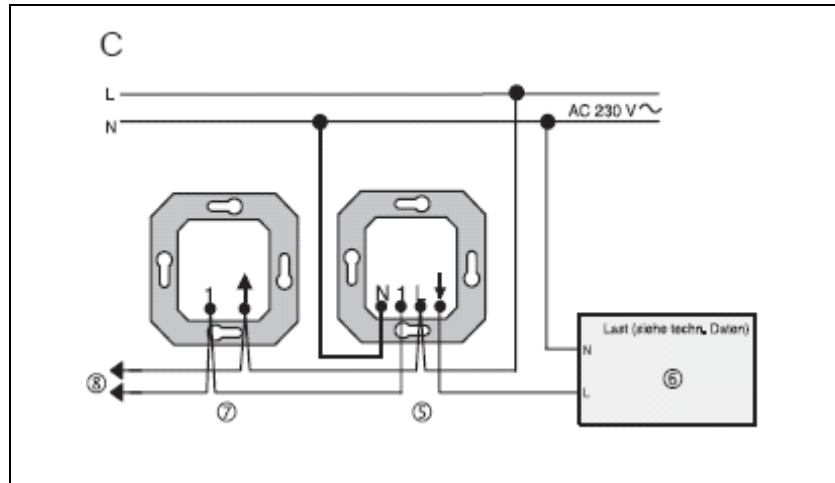
For device protection, connect in series a 10 A automatic cut-out.



Connect the relay insert as shown in Fig. B. Relay insert (5), Load (6) Observe the maximum connected load and the specified load as per Specifications. Depending upon the type of installation, reduce the maximum connected load by:

- 10 % per 5 °C exceeding of the ambient temperature of 25°C.

- 15% for installation in wooden, gypsum plaster or hollow walls.
- 20% for installation in multiple combinations.



Note the technical connection conditions of the power stations.

## 5. Using Extensions

Control from an extension unit is possible only if the attachment on the main unit is in place. Extension insert "2-wire": Same functionality with shortstroke key as on the relay insert. Mechanical key (normally open): ON / OFF (toggling). Illuminated mechanical pushbuttons must have a separate N terminal.

## 6. Specifications

Rated voltage : 230 V AC ~, 50 / 60 Hz

Operating temperature : -20 °C ... +45 °C

Connected load:

Incandescent lamps :	2300 W
Halogen HV lamps :	2300 W
Tronic transformers :	1500 W
Conv. transformers :	1000 VA

Impose on conventional transformers at least 85 % of the rated load by lamps. Including the transformer power loss, the overall load must not exceed 1000 VA.

Fluorescent lamps,

uncompensated :	1200 VA
shunt-compensated :	920 VA

## 7. Guarantee

Our products are under guarantee within the scope of the statutory provisions.

**Please return the unit postage paid to our central service department giving a brief description of the fault:**

ALBRECHT JUNG GMBH & CO. KG

Service-Center

Kupferstr. 17-19

D-44532 Lünen

Service-Line: +(49) 23 55 . 80 65 51

Telefax: +(49) 23 55 . 80 61 65

E-Mail: mail.vka@jung.de

### General equipment

Service-Line: +(49) 23 55 . 80 65 55

Telefax: +(49) 23 55 . 80 62 55


E-Mail: mail.vkm@jung.de

### KNX equipment

Service-Line: +(49) 23 55 . 80 65 56

Telefax: +(49) 23 55 . 80 62 55

E-Mail: mail.vkm@jung.de

 The CE-Sign is a free trade sign addressed exclusively to the authorities and does not include any warranty of any properties.