

**ALBRECHT JUNG GMBH & CO. KG**

Volmestraße 1  
58579 Schalksmühle  
GERMANY

Tel. +49 2355 806-0  
Fax +49 2355 806-204  
kundencenter@jung.de  
www.jung.de

## Insect screen

Ref.-no.: RWM 200-G

## Installation instructions



06/2018  
0024020300

## Insect screen



### Safety instructions



Electrical devices may only be mounted and connected by electrically skilled persons.

Serious injuries, fire or property damage possible. Please read and follow manual fully.

Danger of electric shock. Always disconnect before carrying out work on the device or load.

These instructions are an integral part of the product, and must remain with the end customer.

### Product characteristics

- Set of insect screens and seals

### Intended purpose

- Spare part for smoke alarm devices ref.-no.: .. RWM 200 ..

## Installation

### Dismounting the old insect screen

- Dismount smoke alarm device from the magnetic carrier at the ceiling according to the operating instructions.
- Remove cover (A) from device (fig. 1).

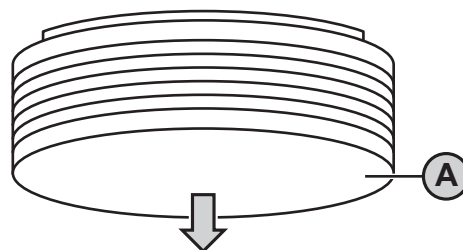


Figure 1

- Press out activation button (B) with an object (e.g. a screwdriver) in direction of the magnetic carrier (fig. 2). Device is deactivated.

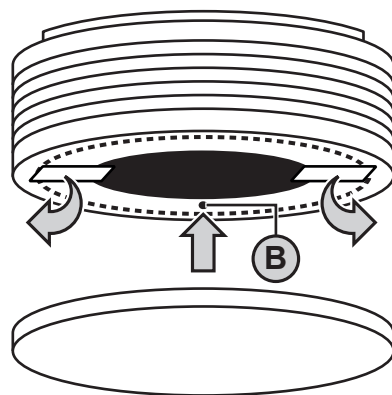


Figure 2

- Detach seals (C). "VOID" sign becomes visible on seals. Seals are destroyed (fig. 3). Destroyed seals may no longer be used.

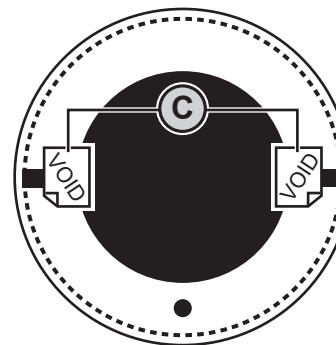


Figure 3

- Remove old insect screen (D) from device (fig. 4).
- If necessary carefully remove dirt behind the smoke inlet lamellas.

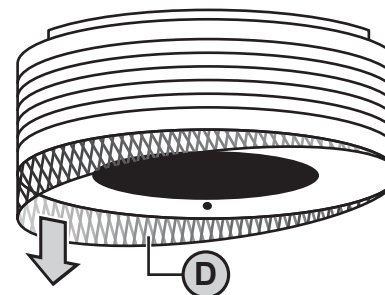


Figure 4

### Mounting the new insect screen

The new insect screens are pre-cut and wound up on a material roll. Only use original parts (insect screens and seals).

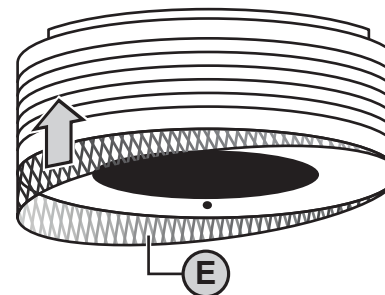


Figure 5

- Carefully press out new insect screen from material roll.
- Insert new insect screen (E) flush with the edge of the housing into the device (fig. 5).

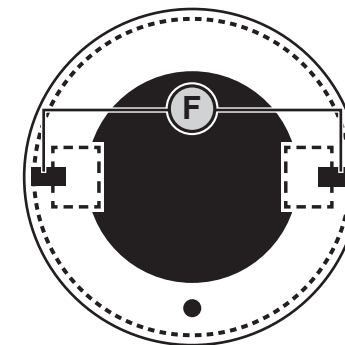


Figure 6

- Stick a new seal on each flap (F) of the new insect screen (fig. 6).

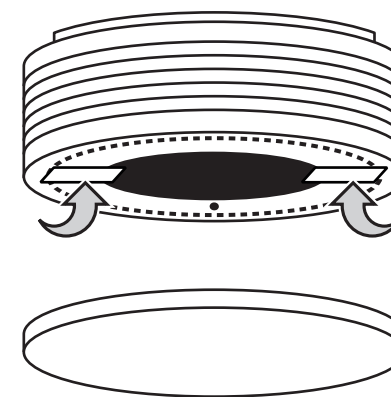


Figure 7

- Fold flaps to the inside and stick them with the seals on the device. The seals may not cover the identification label or the activation button (fig. 7).
- Press activation button into device from direction of the magnetic carrier. Device is activated.
- Attach cover on device.
- Mount device on magnetic carrier at the ceiling according to the operating instructions.
- Perform function test according to the operating instructions. Press testing / stop button (smoke alarm device cover) for function test.