

## Sensor module Y

Ref.-No.: SM 1608

### Programming of Zck

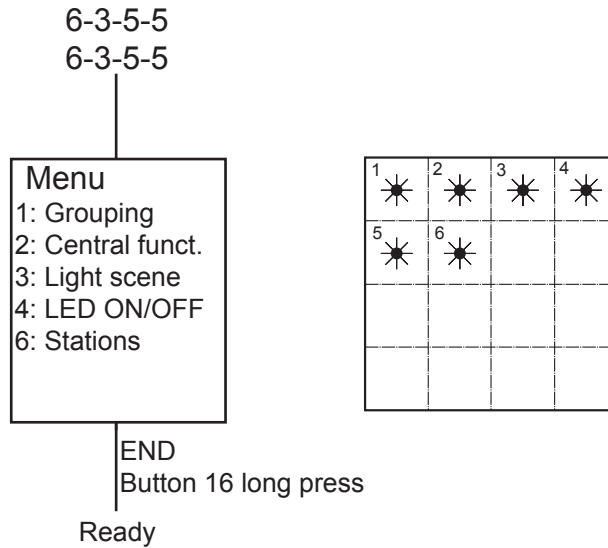
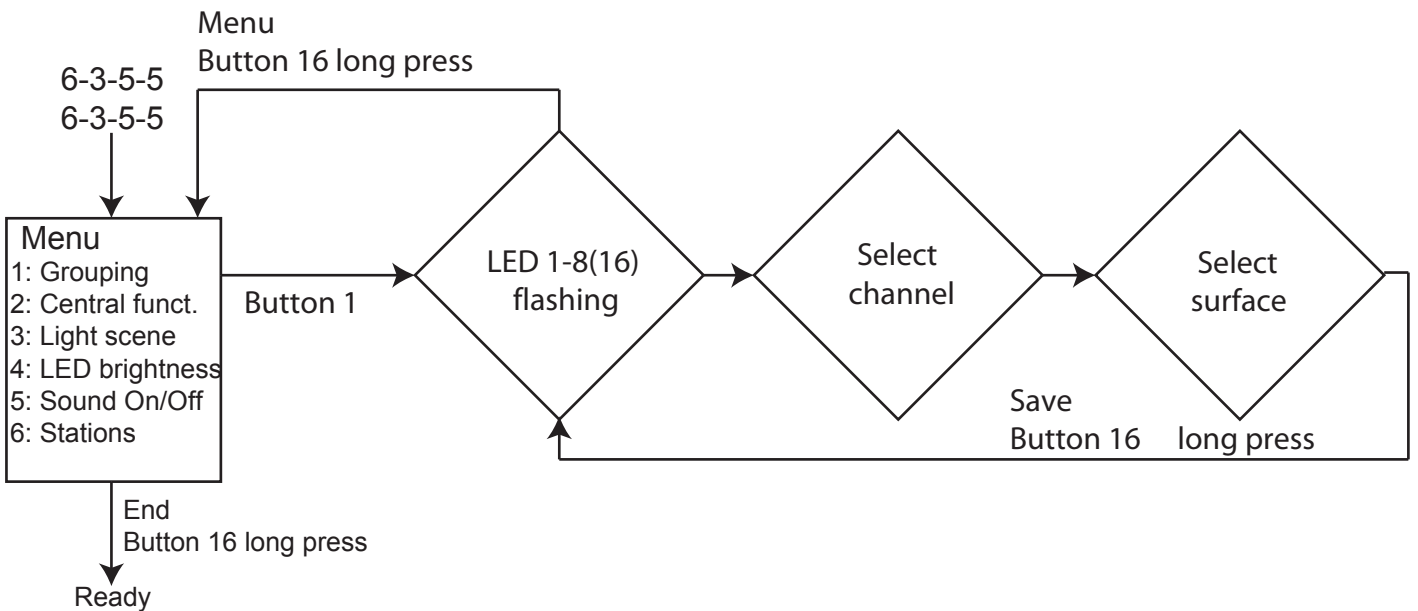


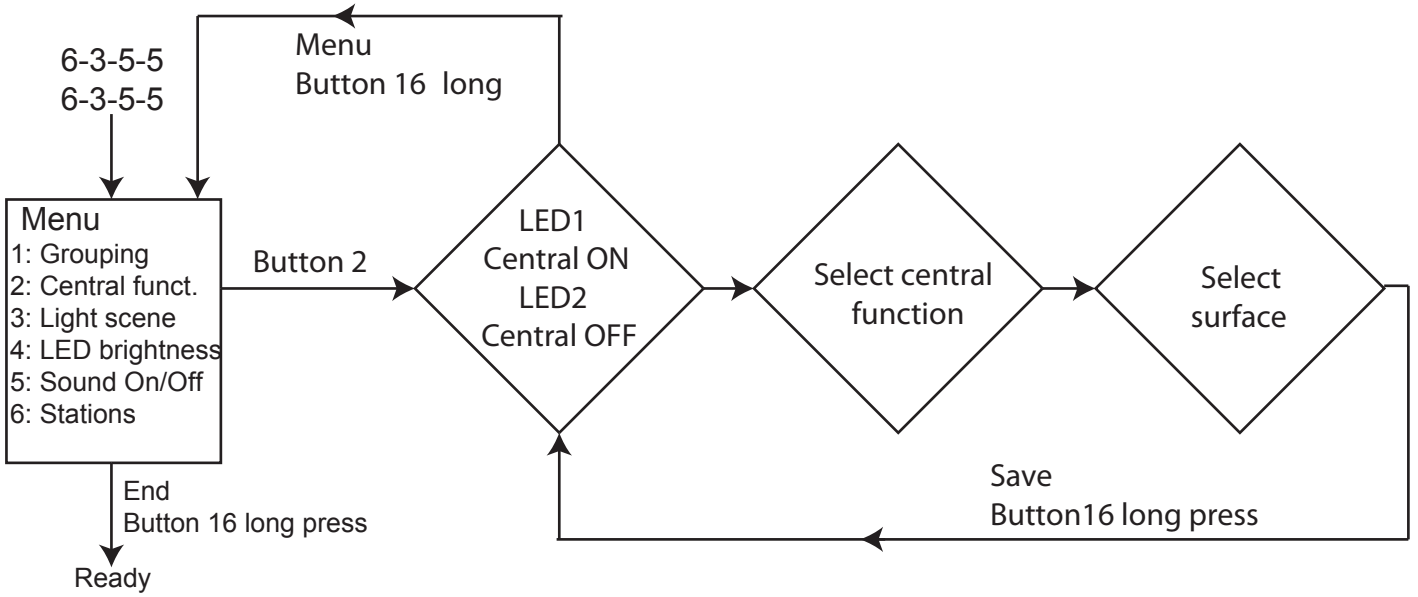
Image 1:

Selection LED 1 - 6 illuminated

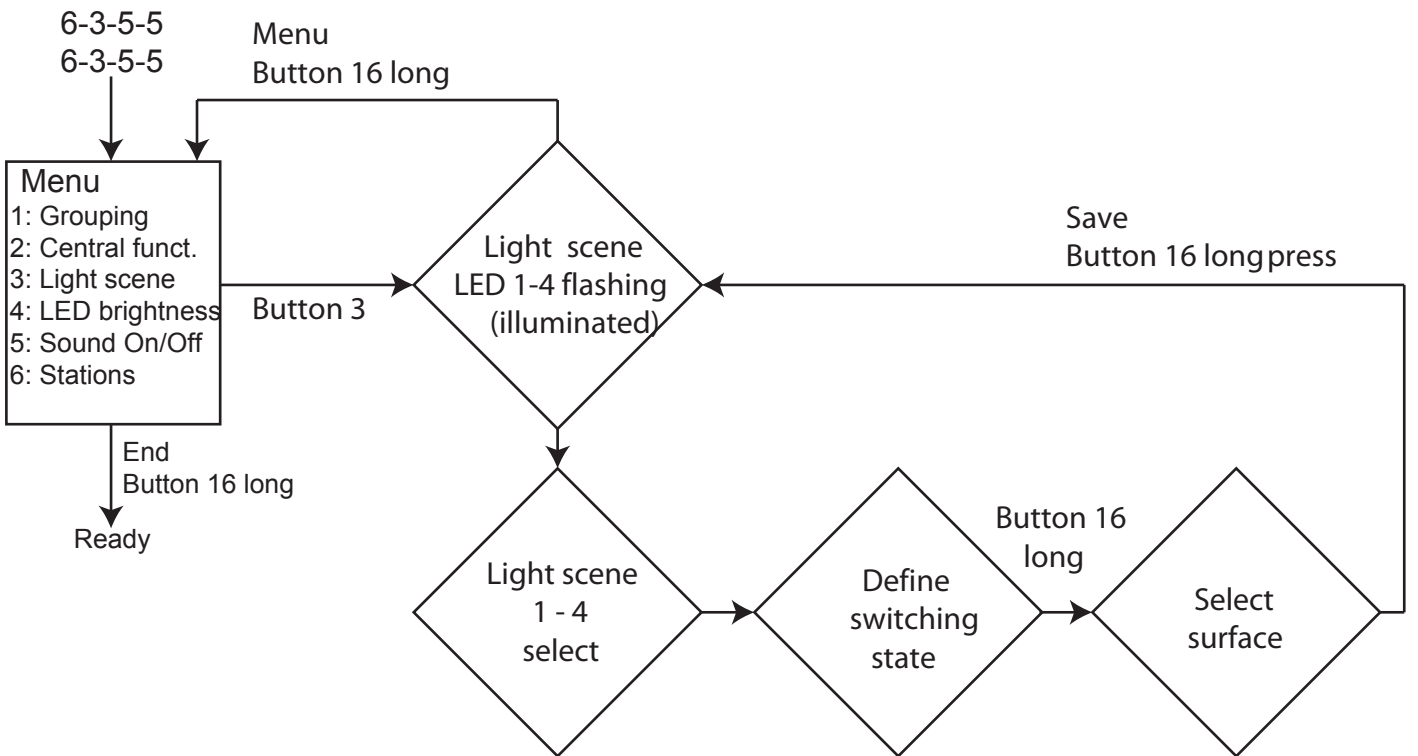
### 6.1 Grouping



## 6 i Hcb' & 7 YbhfU' funWion

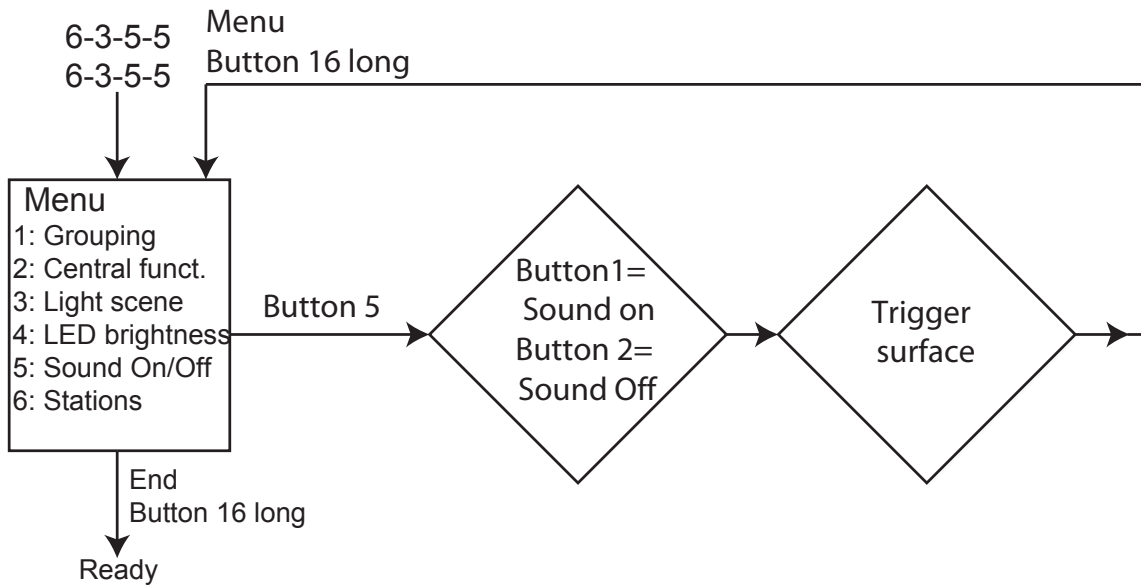


## 6 i Hcb 3 Li[ ht sWbY

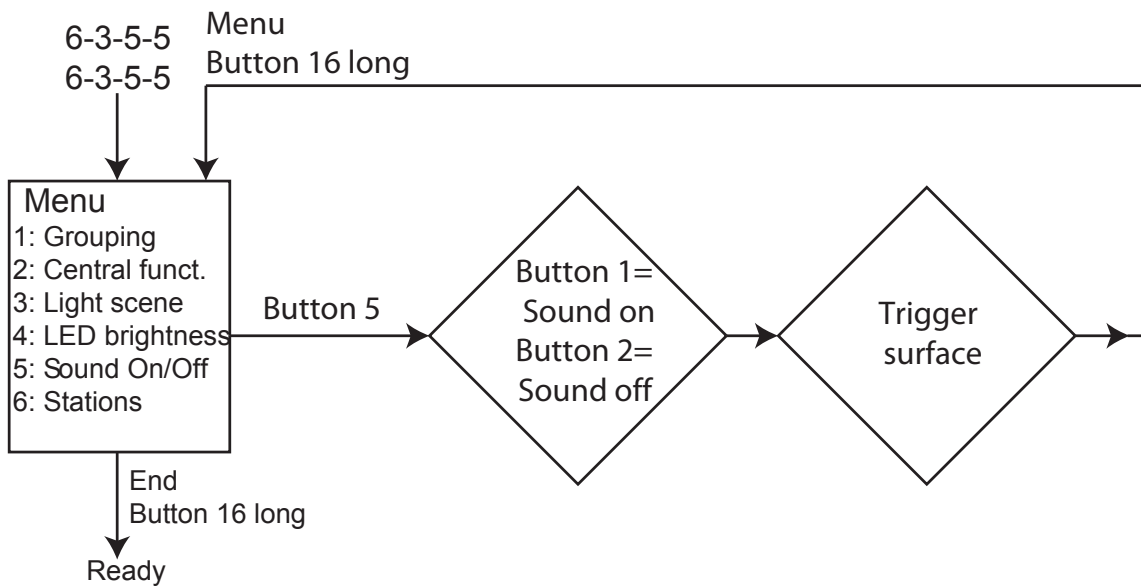


LED on: no action  
 LED flashes slow: switching channel  
 LED flashes fast: Shutter control, Light dimming  
 LED off: Channel switched off

## Button 4 LED brightness



## 6 i Hcb 5 Gci bX Cn/CZ



## 6 i Hcb 6 Stationg

