

Room controller display Smart module

Art. No. RCD .. 4092M..

Operating instructions**1 Safety instructions**

Electrical equipment may only be installed and fitted by electrically skilled persons.

Failure to observe the instructions may cause damage to the device and result in fire and other hazards.

Use only the enclosed plastic screws for fastening to the supporting frame! Otherwise safe operation cannot be ensured. Electrostatic discharges can cause defects in the device.

These instructions are an integral part of the product, and must remain with the end customer.

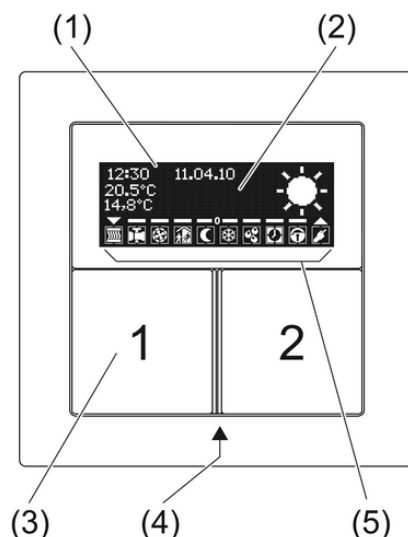
2 Device components

Figure 1

- (1) Display
- (2) Text area
- (3) Buttons 1 and 2
- (4) Operation and status LED
- (5) Status icons

3 Function**System information**

This device is a product of the KNX system and complies with the KNX directives. Detailed technical knowledge obtained in KNX training courses is a prerequisite to proper understanding.

The function of this device depends upon the software. Detailed information on loadable software and attainable functionality as well as the software itself can be obtained from the manufacturer's product database. Planning, installation and commissioning of the device are carried out with the aid of KNX-certified software. The latest versions of product database and the technical descriptions are available on our website.

Intended use

- Operation of loads, e.g. light on/off, dimming, blinds up/down, brightness values, temperatures, calling up and saving light scenes, etc.
- Measurement and feedback control of the room temperature
- Installation in appliance box according to DIN 49073

Product characteristics

- The pushbutton functions switching, dimming, controlling blinds, value transmitter, calling up moods, etc.
- Vertical and horizontal rocker functions
- two red LEDs per button to display status or actuation
- Indication of values and texts
- Scrolling text display for one or two messages each with a maximum of 14 characters.
- Integrated room temperature sensor
- Room temperature control with setpoint value specification
- Display of room and setpoint temperature
- Display of outdoor temperature; only with external sensor
- Integrated bus coupling unit
- In conjunction with FacilityPilot – Multi Room control: Control of music playback, display of music tracks, performer etc.
- Application as display unit for KNX alarm control centre

4 Operation

Operating a function or load

Depending on the programming, a button can have up to three functions assigned to it – upper/left, lower/right, entire surface. Operation depends on the specific function.

- Switch: Short press on button.
- Dim: Long press on the button. The dimming process ends when the button is released.
- Move Venetian blind: Long press on button.
- Stop or adjust Venetian blind: Short press on button.
- Call up light scene: Short press on button.
- Save light scene: Long press on button.
- Set value, e.g. brightness or temperature setpoint: Short press on button.

Operating modes and icons

The device compares the current room temperature with the setpoint temperature and controls heating or cooling devices according to the current demand. The setpoint temperature depends on the current operating mode and can be changed by the user, depending on the programming. The operating modes and the current controller status are shown in the display.

: Operating mode Comfort

: Operating mode Standby

: Operating mode Night

: Operating mode Frost/heat protection. At temperatures below 5 °C the icon flashes.

: Dew point operation display; controller is disabled

: Comfort extension, night

: Comfort extension, frost protection

: Info mode is active. When the button is pressed, the display shows a text for the triggered function.

...: Fan controller with fan level display. = Fan off.

...: Heating mode with display of the heating stage

...: Cooling mode with display of the cooling step

: Energy requirement; the device is currently heating or cooling.

: Operating display for switching channels 1...4 switched on: or

: Buttons disabled

0: no setpoint shift

...-- **0** or **0** --... : Setpoint temperature reduced or increased manually

▼: Switch off button-press display, dim darker, move blind down, decrease value. Is activated for approx. 3 seconds when pressed.

▲: Switch on button-press display, dim brighter, move blind up, increase value. Is activated for approx. 3 seconds when pressed.

Text display

The text area (2) in the display shows texts, e.g. music tracks, values, time, date, temperatures etc. A total of up to 12 lines on 4 pages are available. With appropriate programming additional icons in the text area can display more states, e.g. weather data, level information or scrolling text with up to 2 x 14 characters.

Toggleing between pages – depending on programming – can take place automatically by pressing a button or can be controlled from other devices, e.g. a timer.

Second operating level

The second operating level contains functions for setting the room temperature control. The following settings are available for sequentially operating any possible alarm control centre etc. Some items are not visible, depending on the programming.

- Continuous controller
 - Comfort mode: Setpoint temperature
 - Heating standby: Temperature reduction
 - Cooling standby: Temperature increase
 - Heating night reduction: Temperature reduction
 - Cooling night reduction: Temperature increase
 - Heat protection: Setpoint temperature
 - Frost protection: Setpoint temperature
 - Cooling mode max.: Limiting value
 - Cooling mode max.: Difference
- Central alarm syst.
The texts are sent from the alarm control centre.
- Info mode
One-touch operation / double-touch operation / Off
- Presence
Switched on / switched off
- Setpoint shift
Increase / Reduction
- Operating mode
Standby mode / Night mode / Frost/heat protection / Comfort mode
- Fan levels
Off / Manual: Level 1 ... Level 8 / Automatic operation
- Device information
RCS .. 4092 M .. / Firmware x V xx
- Display
 - Contrast
 - Brightness
 - Pixel test
- Save
- Cancel

Operating second operating level

The second operating level is programmed and not disabled.

- Open: Simultaneously press the buttons **1** and **2** at the top (figure 1).
- Press button **1** at top or bottom.
The current setting is switched or the displayed value is increased or decreased.
- Press button **2** at top or bottom.
The display switches to the previous or next menu entry.

5 Information for electrically skilled persons

5.1 Fitting and electrical connection

Mounting and connecting the device

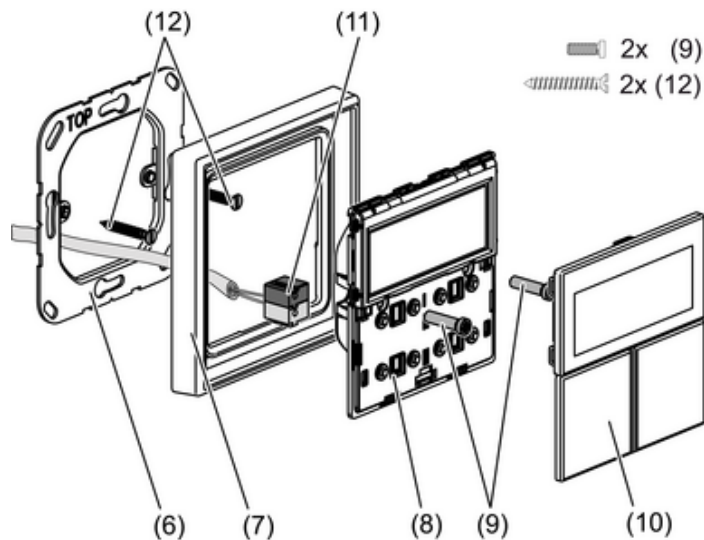


Figure 2: Mounting room controller

- (6) Supporting frame
- (7) Frame
- (8) Room controller
- (9) Fastening screws
- (10) Buttons
- (11) KNX connection terminal
- (12) Box screws

Supporting frame side **A** for CD design ranges and FD design. Supporting frame side **B** for LS design ranges.

Recommended installation height: 1.50 m.

When the push-button extension module is used (figure 3): Preferably mounted vertically. Use large supporting ring (13). When mounting on only one flush-mounted box, countersink the lower screws into the wall, e.g. with a $\varnothing 6 \times 10$ mm hole. Use supporting frame as template.



DANGER!

When mounting with 230 V devices under a common cover, e.g. socket outlets, there is a danger of electrical shocks in the event of a fault!

Electrical shocks can be fatal.

Do not install any 230 V devices in combination with a push-button extension module under a common cover!

- Mount supporting ring (6) or (13) in the right orientation on an appliance box. Note marking **TOP** ; marking **A** or **B** in front. Use only the enclosed box screws (12).
- Push frame (7) onto supporting frame.
- Push-button extension module: Insert connecting cable (16) in the correct orientation into slot (15) in the device. Do not crimp the connecting cable (figure 3).
- Connect device (8) to the KNX using KNX connecting terminal (11) and push onto the supporting frame.

- Fix device (8) and pushbutton extension module (12) to supporting frame using the plastic screws (9) enclosed. Tighten the plastic screws only lightly.
- Before mounting the buttons (10), load the physical address into the device .

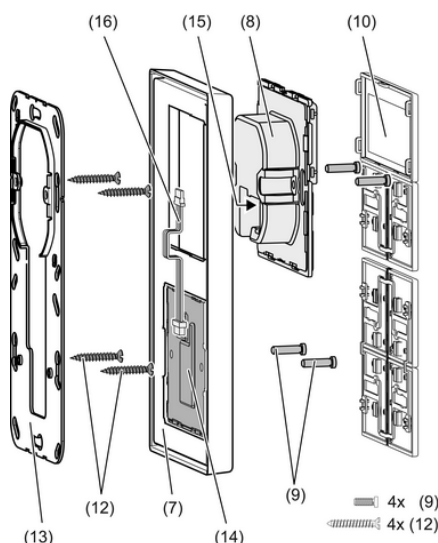


Figure 3: Mounting with push-button extension module

- (13) Supporting frame for mounting with push-button extension module
- (14) Push-button extension module
- (15) Slot for push-button extension module
- (16) Push-button extension module connecting cable

5.2 Commissioning

Loading the physical address and application software

Configuration and commissioning with ETS3.0d Patch A or more recent.

The device is connected and ready for operation.

The buttons are not mounted yet.

- i** If the device does not receive any application software, or the wrong application software, then the blue operation LED flashes slowly.

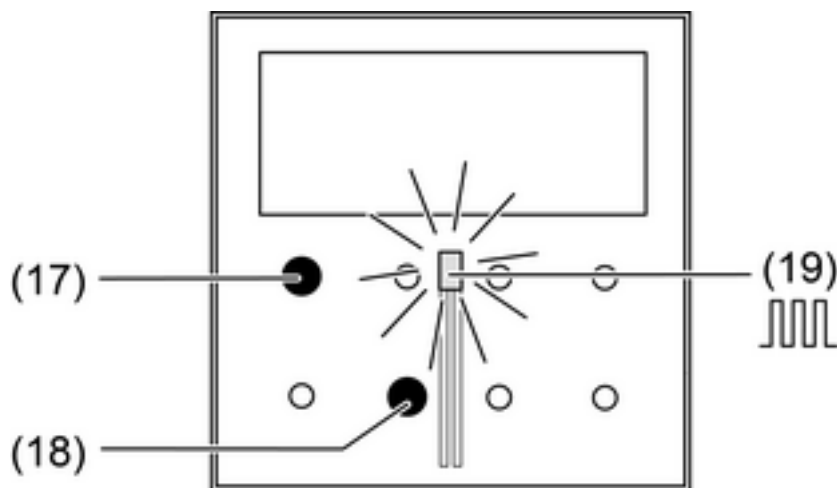


Figure 4: Activating programming mode

- Activate programming mode: Press and hold push-button (17). Then press push-button (18).
The operation LED (19) flashes quickly.
- Load physical address into the device.
The operation LED (19) returns to its previous state – off, on, or flashing slowly.
- Write the physical address on the device label.
- Load application software into the device.

Fitting the control surfaces

The control surfaces are available as a complete set of buttons. Individual buttons can be replaced using buttons with icons.

i The mounting spider is not required to mount the buttons.

The physical address is loaded into the device.

- Place control surfaces on the device in the right orientation and snap in with a short push.

6 Appendix

6.1 Technical data

KNX medium	TP 1
Commissioning mode	S-mode
Rated voltage KNX	DC 21 ... 32 V SELV
Current consumption KNX	max. 20 mA
Connection mode KNX	Connection terminal
Ambient temperature	-5 ... +45 °C
Storage/transport temperature	-25 ... +70 °C
Protection class	III

6.2 Accessories

Cover kit	Art. No. RCD ..4092 TSA..
Push-button extension module, 1-gang	Art. No. 4091 TSEM
Push-button extension module, 2-gang	Art. No. 4092 TSEM
Push-button extension module, 3-gang	Art. No. 4093 TSEM
Push-button extension module, 4gang	Art. No. 4094 TSEM
Cover kit, 1-gang, for Extension modul	Art. No. ..401 TSA..
Cover kit, 2-gang, for Extension modul	Art. No. ..402 TSA..
Cover kit, 3-gang, for Extension modul	Art. No. ..403 TSA..
Cover kit, 4-gang, for Extension modul	Art. No. ..404 TSA..

6.3 Warranty

We reserve the right to make technical and formal changes to the product in the interest of technical progress.

We provide a warranty as provided for by law.

Please send the unit postage-free with a description of the defect to our central customer service office.

ALBRECHT JUNG GMBH & CO. KG

Volmestraße 1
58579 Schalksmühle

Telefon: +49.23 55.8 06-0
Telefax: +49.23 55.8 06-2 04
kundencenter@jung.de
www.jung.de

Service Center

Kupferstr. 17-19
44532 Lünen
Germany