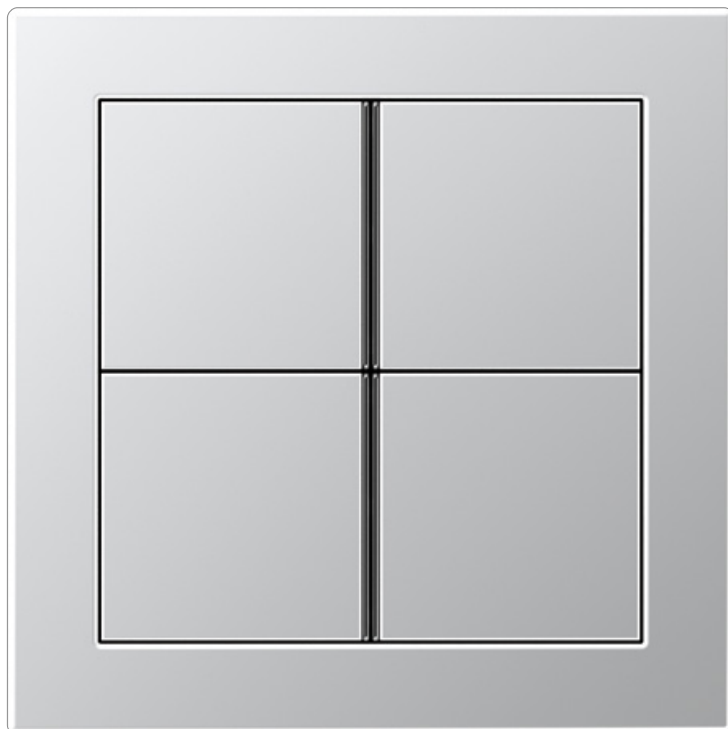


1:1



Flush-mounted range

Material

Thermoplastic

Aluminium: AlMg1

Natural tone, matt finished

Stainless steel: 14303 X4 CrNi 18-12

shot-blasted with glass beads

Anthracite: lacquered aluminium

Dark: lacquered aluminium

Classic brass: CuZn37

plain brushed, 240 granulation,

Varnish on both sides (anticorrosive coating)

Antique brass: CuZn37

hand brushed, traditional coloured,

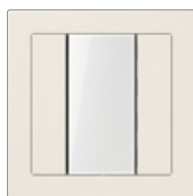
hand finished, Varnish on both sides

(anticorrosive coating)

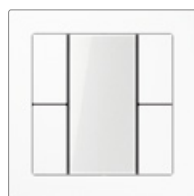
Compatible with selected covers of the range LS

The individual laser or colour printing of JUNG products is possible using the Graphic Tool. The labelling method depends on the material and colour of the cover. Read more at www.jung.de/gt.

Plastic



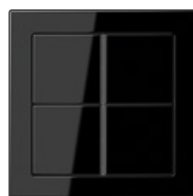
ivory
similar RAL 1013



white
similar RAL 9010

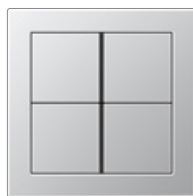


light grey
similar RAL 7035



black
similar RAL 9005

Metall



Aluminium



Anthracite
aluminium lacquered



Dark
aluminium lacquered



Stainless Steel

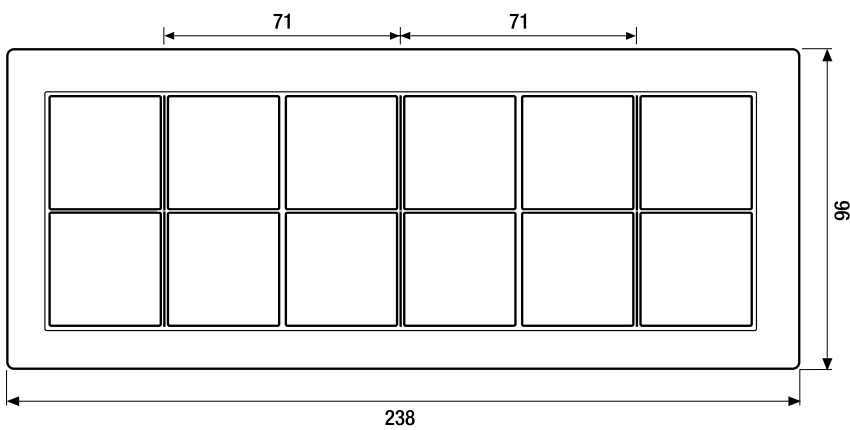
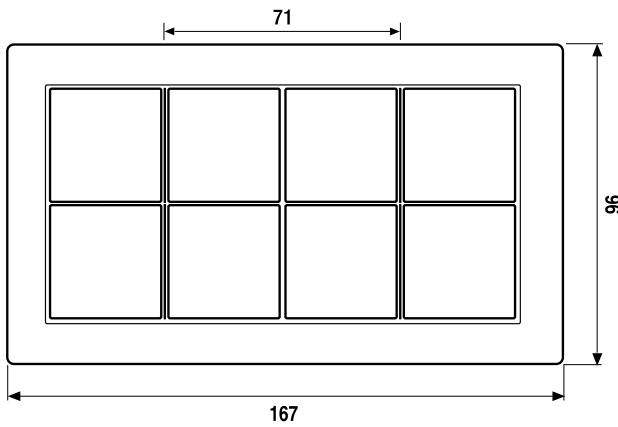
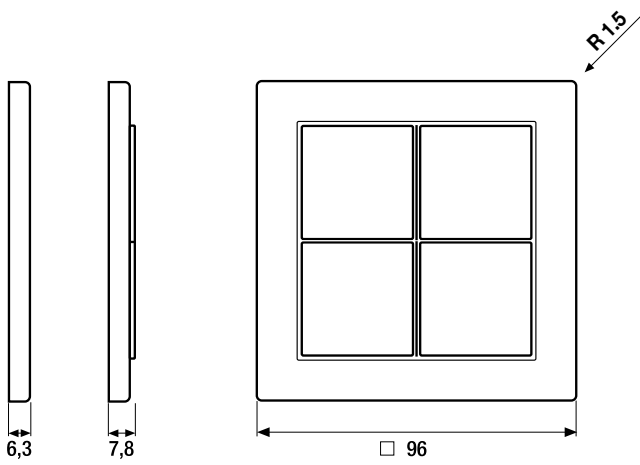
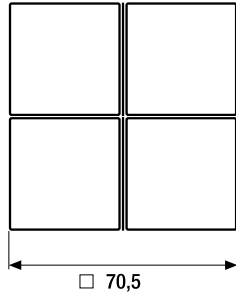


Classic brass



Antique brass

Flat Design



Frame size

1-gang 96 mm x 96 mm

2-gang 167 mm x 96 mm

3-gang 238 mm x 96 mm

Frames can be installed horizontally and vertically.

Corner radius of frames R 1.5